

3M™ 442 Overshoes

The 3M™ 442 Overshoes are an accessory within the 3M range of disposable protective clothing.

Featuring a white, laminated, low-linting fabric which is also used on the front of the 3M™ 4535 Protective Coverall, the 3M™ 442 Overshoes are designed to help protect the wearer's footwear from non-hazardous liquid splashes and dusts and may also help reduce contamination of the working environment.

Featuring elasticsation at the ankle to ensure a good fit, the base of the 3M™ 442 Overshoe is made from the same laminated fabric as the top of the boot.

Key Features

- Elasticsation at the top of the boot for a secure fit
- Low-linting material
- Made from the same fabric as used on the front of the 3M™ 4535 Protective Coverall

Applications

- Catering
- Electronics Manufacturing
- Laboratories
- Cleanrooms

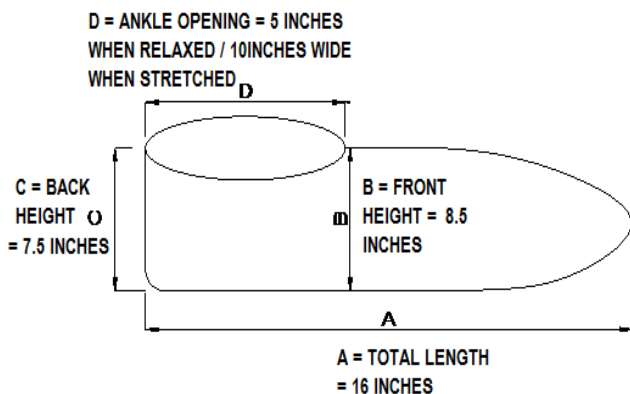
This product is sold as an accessory and is not certified under the Personal Protective Equipment (PPE) Directive. A risk assessment should be carried out by a trained safety professional to ensure that appropriate PPE and accessories are selected and worn correctly. For more information, please contact 3M.

Materials

Overshoe Material	55gsm Polypropylene with a Polyethylene laminate
Elastic	Neoprene Rubber
Thread	Polyester / Cotton

This product does not contain components made from natural rubber latex.

Sizing - Universal



3M Safety Solutions

3M United Kingdom
3M Centre, Cain Road, Bracknell
Berkshire RG12 8HT
Tel: 0870 60 800 60
www.3M.co.uk/ohes

3M Ireland Limited
The Iveagh Building
The Park, Carrickmines
Dublin 18
Tel: 1 800 320 500

Storage and Disposal

- Store in dry, clean conditions in original packaging, away from direct sunlight, sources of high temperature, and solvent vapours
- Store within the temperature range -20°C to +25°C (-4°F to +68°F) and with relative humidity below 80%
- Expected shelf life is three years from date of manufacture when stored as stated
- Replace product if damaged, heavily contaminated or in accordance with local work practice or regulations
- Handle and dispose of contaminated product with care and in accordance with applicable regulations

Limited Use



Do not wash



Do not dry clean



Do not bleach



Flammable — keep away from sparks or flames



Do not iron



Single Use - do not re-use



Do not tumble dry

Warnings and Limitations

Before use be sure that the product is suitable for the application and fitted correctly. Product must never be altered or modified. Do not use for:

- Contact with heavy oils, sparks or flame, or combustible liquids;
- Environments with high mechanical risks (abrasions, tears, cuts);
- The only or sole protection against hazardous substances;
- Environments with conditions of excessive heat.

For more information on 3M products and service please contact 3M.

Important Notice

This guide is only an outline. Before using any protective clothing or accessories, the wearer must read and understand the user information for each product. Specific country legislation should be observed. If in doubt, contact a safety professional. Selection of the most appropriate PPE and accessories will depend on the particular situation and should only be made by a competent person knowledgeable of the actual working conditions and the limitations of PPE and accessories. Final determination as to the suitability of these products for a particular situation is the employer's responsibility. This information is subject to revision at any time. If you have questions please contact 3M.

3M Health & Safety Helpline

0870 60 800 60 (UK) 1 800 320 500 (Ireland)