

# DIAPHRAGM VACUUM PUMP N 920 G

DATA SHEET E 218



## Technical features

- 100% oil-free transfer – thereby pure transferring and evacuation of gases
- High suction speed, particularly in the low vacuum range
- Integrated gas ballast valve
- Integrated rotational speed control enables pumping capacity to be easily adapted manually to process requirements
- Ideal for aggressive/corrosive gases and vapors
- Maintenance-free
- Environmentally friendly

**Tip:** When combined with the VC 900 vacuum control unit and the connection cable, the rotational speed is controlled in accordance with the requirements of the process.

## Technical data

### ELECTRICAL DATA

Flow rate [m <sup>3</sup> /h] at atm. pressure	1.26
Flow rate [l/min] at atm. pressure	21
Ultimate vacuum [mbar abs.]	2.0 < 5.0 with gas ballast valve in use
Operating pressure [bar]	0.5
Permissible media temperature [°C]	+5 bis +40
Permissible ambient temperature [°C]	+10 to +40
Mains [V/Hz]	100 - 240/50 - 60
Motor protection	IP 20
Power P <sub>1</sub> [W]	135
Operating current [A]	1.4
With overcurrent protection and main fuse	

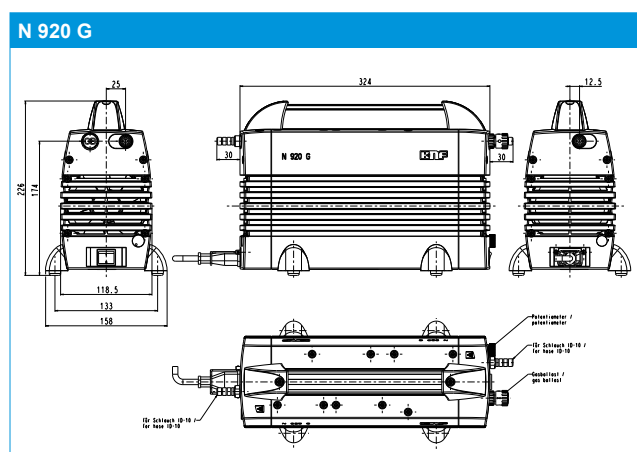
### OTHER DATA

Hose connections [mm]	for tube ID 10
Weight [kg]	8.5
Dimensions W x H x D [mm]	158 x 226 x 324

### MATERIALS

Pump head	PPS
Diaphragm	PTFE-coated
Valves	FFPM

## Dimensions

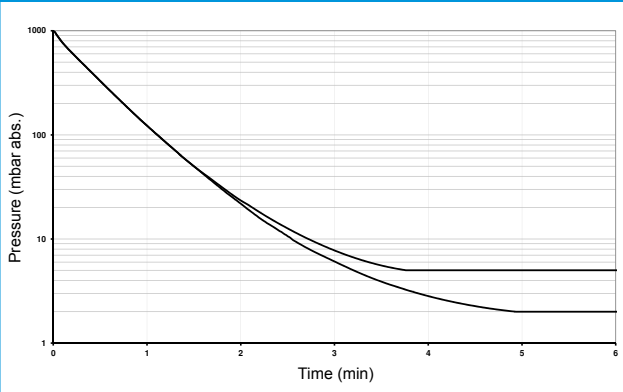


### ACCESSORIES

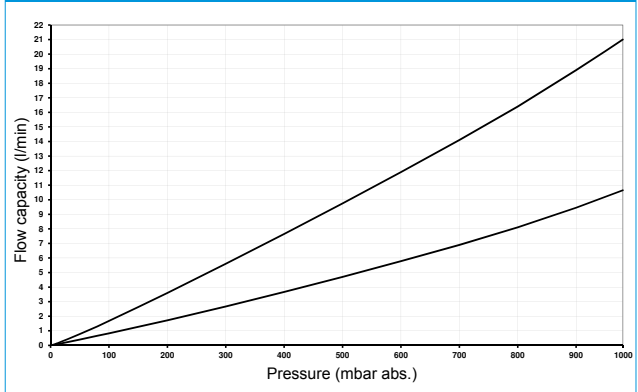
ACCESSORIES	ID
Silencer G 1/8	007006
Fine control valve with vacuum gauge	112432
Small flange, stainless steel SF 16	046625
Spares kit	111905

## Performance characteristics

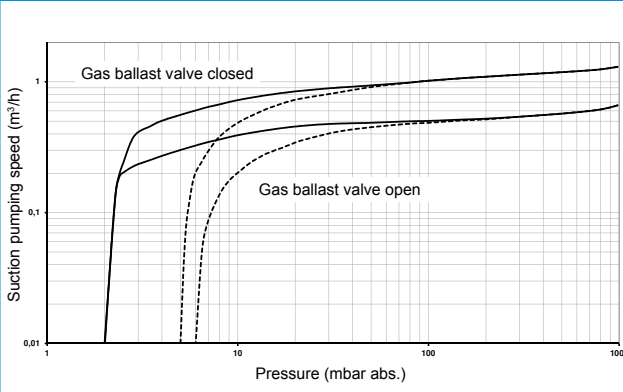
**PUMP DOWN TIME FOR 10 LITER RECEIVER AT MAX. MOTOR SPEED, GASBALLAST VALVE OPEN/CLOSED**



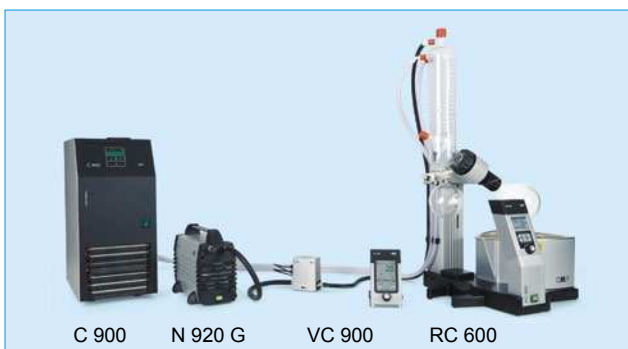
**FLOW CAPACITY AT MIN./MAX. MOTOR SPEED GAS BALLAST VALVE CLOSED**



**SUCTION PUMPING SPEED AT MIN./MAX. MOTOR SPEED GAS BALLAST VALVE OPEN/CLOSED**



## Combination possibility



## SALES CENTERS

### **Germany**

KNF Neuberger GmbH  
D-79112 Freiburg  
Tel. +49 7664 5909 0  
info@knf.de  
www.knf.de

### **Benelux Netherlands**

KNF Verder B.V.  
NL-3451 GG Vleuten  
Tel. +31 30 677 92 40  
info@knf-verder.nl  
www.knf-verder.nl

### **Benelux Belgium and Luxemburg**

KNF Verder N.V.  
B-2630 Aartselaar  
Tel. +32 3 871 96 24  
info@knf.be  
www.knf.be

### **China**

KNF Technology (Shanghai) Co., Ltd.  
Shanghai 201203  
Tel. +86 21 5109 9695  
info@knf.com.cn  
www.knf.com.cn

### **France, Morocco, Tunisia, Algeria**

KNF Neuberger SAS  
F-68128 Village-Neuf  
Tel. +33 389 70 35 00  
info@knf.fr  
www.knf.fr

### **UK**

KNF Neuberger U.K., Ltd.  
Witney, Oxfordshire OX28 4FA  
Tel. +44 1993 77 83 73  
info@knf.co.uk  
www.knf.co.uk

### **India**

KNF Pumps + Systems (India) Pvt. Ltd.  
Hinjewadi, Pune 411 057  
Tel. +91 20 640 13 923  
+91 20 640 08 923  
info@knfpumps.in  
www.knfpumps.in

### **Italy**

KNF ITALIA S.r.l.  
I-20063 Cernusco s. Naviglio MI  
Tel. +39 02 272 03 860  
info@knf.it  
www.knf.it

### **Japan**

KNF Japan Co.Ltd.  
Tokyo 104-0033  
Tel. +81 3 3551 7931  
info@knf.co.jp  
www.knf.co.jp

### **Korea**

KNF Neuberger Ltd.  
135-502, Seoul  
Tel. +82 2 959 0255  
knf@knfkorea.com  
www.knfkorea.com

### **Sweden, Finland, Denmark, Norway**

KNF Neuberger AB  
SE-11743 Stockholm  
Tel. +46 8 744 51 13  
info@knf.se  
www.knf.se

### **Switzerland**

KNF Neuberger AG  
CH-8362 Balterswil  
Tel. +41 71 973 99 30  
knf@knf.ch  
www.knf.ch

### **Taiwan**

KNF Neuberger Ltd.  
Taipei City, 11490  
Tel. +886 2 2794 1011  
knftwn@knftwn.com.tw  
www.knftwn.com.tw

### **USA, Canada**

KNF Neuberger, Inc.  
Trenton, New Jersey 08691-1810  
Tel. +1 609 890 8600  
knfusa@knf.com  
www.knfusa.com

### **Latin America**

Tel. +1 609 649 1010  
gb@knf.com  
www.knf.com/es