

# Hybridisation Accessories

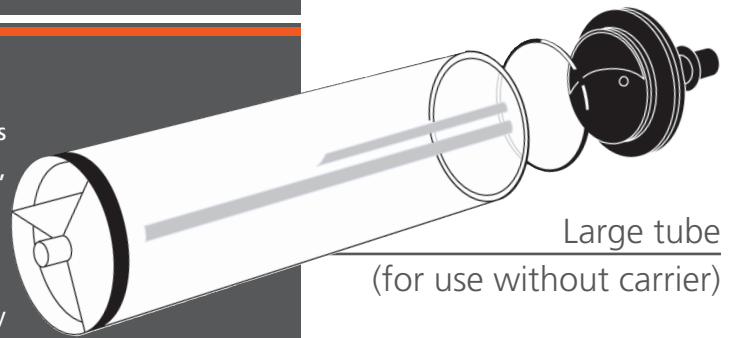
## Hybridisation Incubators

Versatile multiple tube formats; mix and match sizes within an instrument to cater for different throughputs, users and applications.

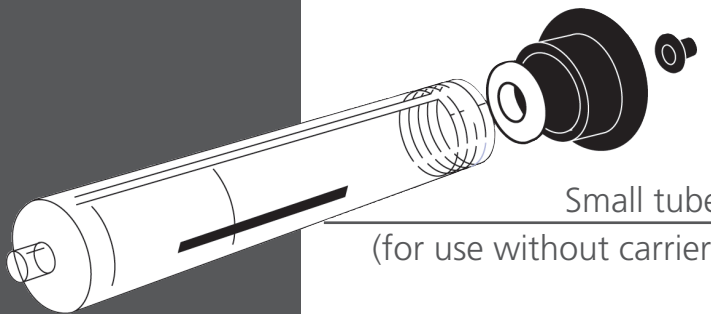
### Glassware

Glass hybridisation tubes reduce volumes, simplify washing and improve signals!

- 3 sizes available: small, mini and unique large tubes
- Durable: thick borosilicate glass
- Easy pour: non drip, safe and convenient
- Sealing ring: 'O' ring-sealed end caps ensure no leakage!
- Escape thread on screw cap: easy opening with no vacuum problems
- Tube assemblies: adaptors to hold multiple small glass tubes for increased capacity



Large tube  
(for use without carrier)



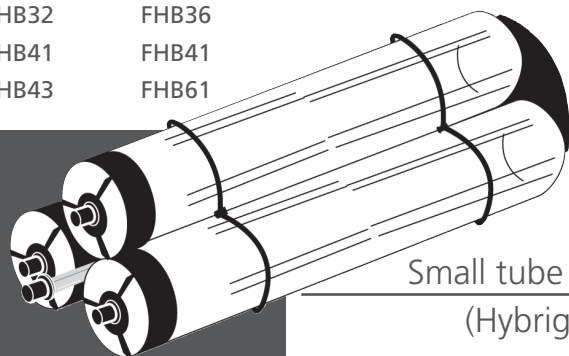
Small tube  
(for use without carrier)

### Description

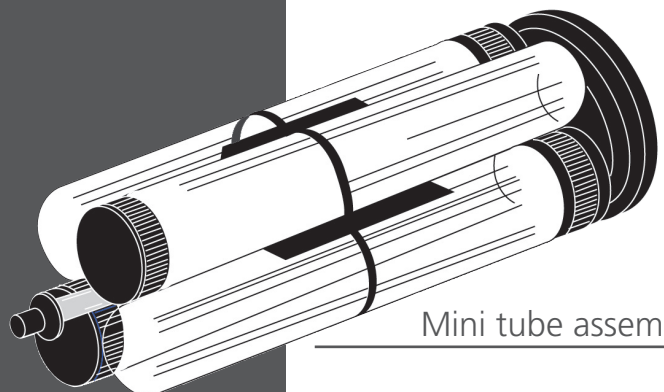
Large (80mm) glass tube without end caps	FHB11	-
Large (80mm) glass tube with end caps	FHB12	FHB16
Small (44mm) glass tube with screw cap	FHB32	FHB36
Mini (32mm) glass tubes with screw caps (pack of 4)	FHB41	FHB41
Multi tube holder for mini tubes	FHB43	FHB61

### Product codes

HB1D	Hybrigene
FHB11	-
FHB12	FHB16
FHB32	FHB36
FHB41	FHB41
FHB43	FHB61



Small tube assembly  
(Hybrigene only)



Mini tube assembly