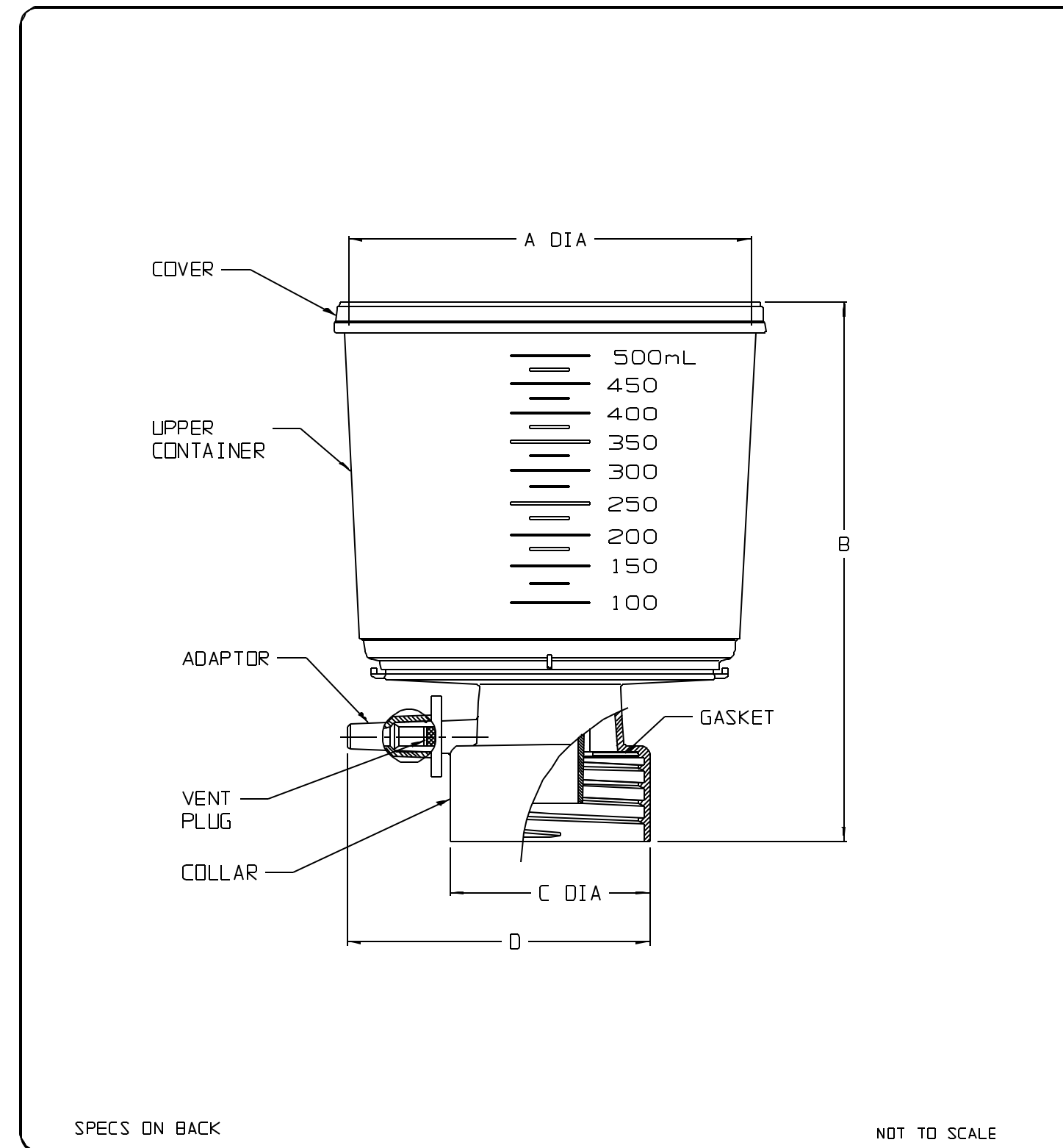


CAT. NO.....:	291-3320	291-3345	291-4520	291-4545				
PORE SIZE (µm).....:	0.2	0.45	0.2	0.45				
UPPER CAP. (mL).....:	500	500	500	500				
BOTTLE NECK SIZE.....:	33nn	33nn	45nn	45nn				
MEMBRANE COLOR.....:	WHITE	WHITE	WHITE	WHITE				
MEMBRANE DIA (mm).....:	75	75	75	75				
	INCHES	MM	INCHES	MM	INCHES	MM	INCHES	MM
A (UPPER I.D.).....:	3.8	96	3.8	96	3.8	96	3.8	96
B HEIGHT.....:	5.0	127	5.0	127	5.1	130	5.1	130
C DIA (BASE).....:	1.4	36	1.4	36	1.9	48	1.9	48
D DIM.....:	2.5	64	2.5	64	3.0	76	3.0	76
NOM. WT. (gms).....:	70	70	72	72				

MATERIALS	
UPPER CONTAINER	PS
COVER	PS
COLLAR	YELLOW PS
ADAPTOR	WHITE LOPE
GASKET	FOAMED LOPE
MEMBRANE	SFCA
VENT PLUG	CA



NOTES:

1. ALL DIMENSIONS ARE NOMINAL AND IN INCHES AND MILLIMETERS UNLESS OTHERWISE NOTED.
2. THIS IS NOT A PRODUCTION DRAWING, BUT IS FOR INFORMATIONAL PURPOSES ONLY, AND IS SUBJECT TO CHANGE WITHOUT NOTICE.

CONFIDENTIAL

THIS PRODUCT SPECIFICATION SHEET CONTAINS CONFIDENTIAL AND/OR PROPRIETARY INFORMATION AND IS TO BE USED ONLY FOR THE EXPRESSED PURPOSES AGREED UPON BY AN AUTHORIZED OFFICER OF THERMO FISHER SCIENTIFIC.

ThermoFisher SCIENTIFIC Thermo Fisher Scientific
75 Panorama Creek Drive
Rochester, NY 14625-2385, USA

MADE	MC ²	APP'D	PVC	PSS 00-0291-XXXX	REV.
CK'D	PVC		9/20/02		0902
DESCRIPTION: BOTTLE TOP FILTERS					