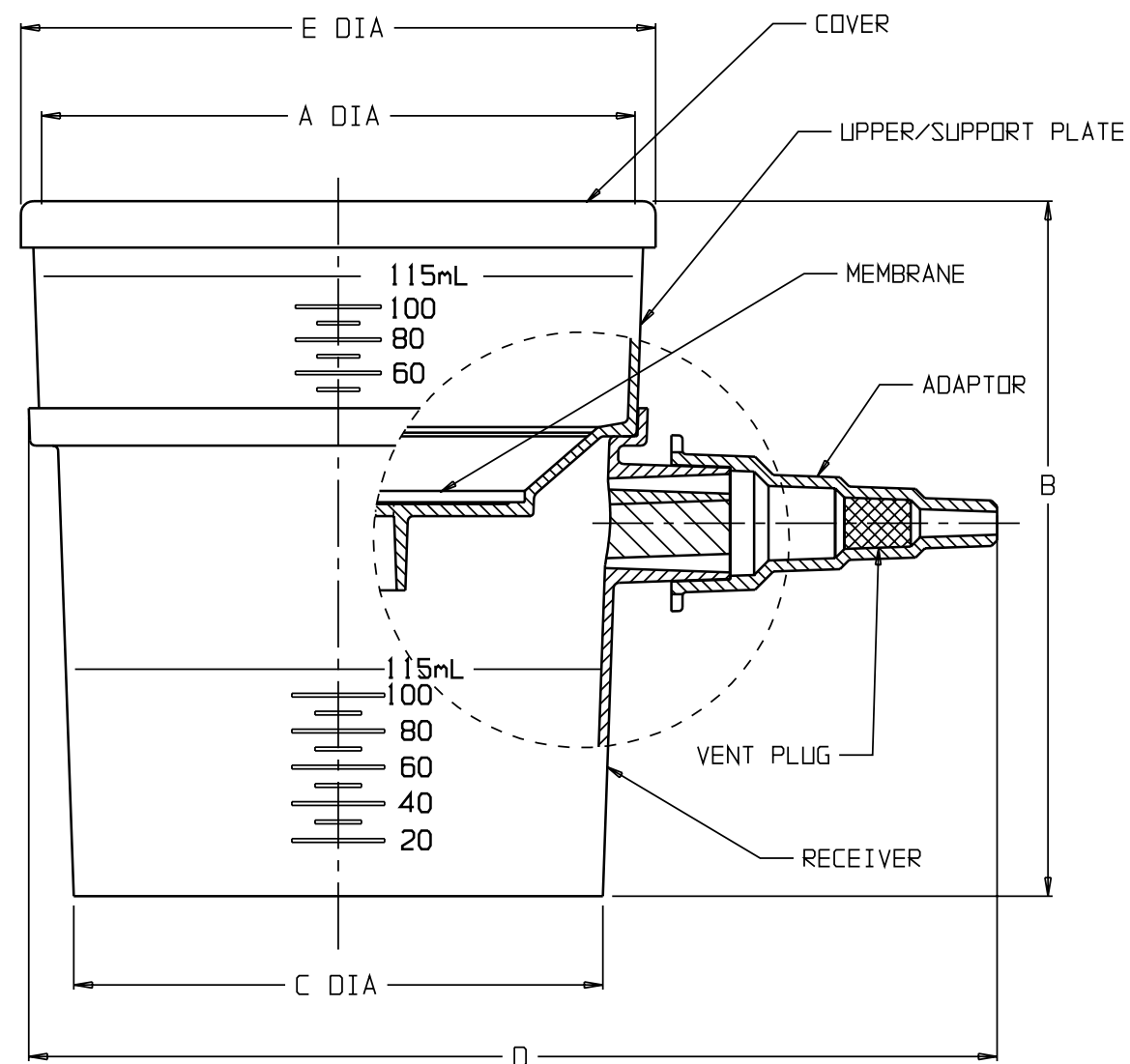


CAT.NO.....:	121-0020/0045	
RECEIVER CAP. (mL)...:	115	
PORE SIZE (µm).....:	0.22/0.45	
MEMBRANE DIA (mm)...:	50	
	INCH	MM
A (UPPER I.D.).....:	3.20	81.3
B (HEIGHT).....:	3.77	95.76
C (BASE DIA.).....:	2.87	72.9
D (OVERALL).....:	5.22	132.6
NOM. WT. (gms).....:	62	
MATERIALS		
UPPER/SUPPORT PLATE	PS	
COVER	PS	
RECEIVER	PS	
ADAPTOR	WHITE LDPE	
VENT PLUG	CA	
MEMBRANE	CN PLAIN WHITE	



SPECS ON BACK

NOT TO SCALE

NOTES:

1. ALL DIMENSIONS ARE NOMINAL AND IN INCHES AND MILLIMETERS UNLESS OTHERWISE NOTED.
2. THIS IS NOT A PRODUCTION DRAWING, BUT IS FOR INFORMATIONAL PURPOSES ONLY, AND IS SUBJECT TO CHANGE WITHOUT NOTICE.

CONFIDENTIAL

THIS PRODUCT SPECIFICATION SHEET CONTAINS CONFIDENTIAL AND/OR PROPRIETARY INFORMATION AND IS TO BE USED ONLY FOR THE EXPRESSED PURPOSES AGREED UPON BY AN AUTHORIZED OFFICER OF THERMO FISHER SCIENTIFIC.

ThermoFisher
SCIENTIFIC

Thermo Fisher Scientific
75 Panorama Creek Drive
Rochester, NY 14625-2385, USA

MADE	PB	APP'D	JMC	PSS 00-0121-00XX	REV.	1107
CK'D	JMC		11/29/07			
DESCRIPTION:				115mL STERILIZATION CN FILTER UNITS		