



PIPETMAN® G SPECIFICATIONS

PIPETMAN G SINGLE CHANNEL – VARIABLE VOLUME MODELS								
Model	PIPETMAN® DIAMOND Tips		Part Number	Volume (µL)	Maximum Permissible Errors			
					Gilson		ISO 8655	
					Systematic error (µL)	Random error (µL)	Systematic error (µL)	Random error (µL)
 P2G	D10** DL10**	DF10 DFL10	F144054M	0.2	± 0.024	≤ 0.012	± 0.08	≤ 0.04
				0.5	± 0.025	≤ 0.012	± 0.08	≤ 0.04
				1	± 0.025	≤ 0.012	± 0.08	≤ 0.04
				2	± 0.030	≤ 0.014	± 0.08	≤ 0.04
 P10G	D10** DL10**	DF10 DFL10	F144055M	1	± 0.025	≤ 0.012	± 0.12	≤ 0.08
				5	± 0.075	≤ 0.030	± 0.12	≤ 0.08
				10	± 0.100	≤ 0.040	± 0.12	≤ 0.08
 P20G	D200**	DF30	F144056M	2	± 0.10	≤ 0.030	± 0.2	≤ 0.1
				10	± 0.10	≤ 0.050	± 0.2	≤ 0.1
				20	± 0.20	≤ 0.060	± 0.2	≤ 0.1
 P100G	D200**	DF100	F144057M	10	± 0.35	≤ 0.10	± 0.8	≤ 0.3
				50	± 0.40	≤ 0.12	± 0.8	≤ 0.3
				100	± 0.80	≤ 0.15	± 0.8	≤ 0.3
 P200G	D200** D300	DF200 DF300	F144058M	20	± 0.50	≤ 0.20	± 1.6	≤ 0.6
				100	± 0.80	≤ 0.25	± 1.6	≤ 0.6
				200	± 1.60	≤ 0.30	± 1.6	≤ 0.6
 P1000G	D1000** D1200	DF1000 DF1200	F144059M	100	± 3.0	≤ 0.6	± 8.0	≤ 3.0
				500	± 4.0	≤ 1.0	± 8.0	≤ 3.0
				1000	± 8.0	≤ 1.5	± 8.0	≤ 3.0
 P5000G*	D5000**		F144066	500	± 12	≤ 3	± 40	≤ 15.0
				2500	± 15	≤ 5	± 40	≤ 15.0
				5000	± 30	≤ 8	± 40	≤ 15.0
 P10mLG*	D10mL**		F144067	1000	± 30	≤ 6	± 60	≤ 30.0
				5000	± 40	≤ 10	± 60	≤ 30.0
				10000	± 60	≤ 16	± 60	≤ 30.0
PIPETMAN G MULTICHANNEL								
 P8x10 P12x10	D10 DL10	DF10 DFL10	F144068 F144069	1	± 0.08	≤ 0.05	± 0.24	≤ 0.16
				5	± 0.20	≤ 0.10	± 0.24	≤ 0.16
				10	± 0.20	≤ 0.10	± 0.24	≤ 0.16
 P8x20 P12x20	DL10 D200	DFL10 DF30	F144070 F144071	2	± 0.10	≤ 0.08	± 0.4	≤ 0.20
				10	± 0.20	≤ 0.10	± 0.4	≤ 0.20
				20	± 0.40	≤ 0.20	± 0.4	≤ 0.20
 P8x200 P12x200	D200 D300	DF200 DF300	F144072 F144073	20	± 0.50	≤ 0.25	± 3.2	≤ 1.2
				100	± 1.00	≤ 0.40	± 3.2	≤ 1.2
				200	± 2.00	≤ 0.50	± 3.2	≤ 1.2
 P8x300 P12x300	D200 D300	DF200 DF300	F144074 F144075	30	± 1.00	≤ 0.35	± 8.0	≤ 3.0
				150	± 1.50	≤ 0.60	± 8.0	≤ 3.0
				300	± 3.00	≤ 1.00	± 8.0	≤ 3.0
PIPETMAN® G Kit								
Model	Part Number	PIPETMAN G Models	PIPETMAN® DIAMOND Tips	Accessories				
PIPETMAN G Starter Kit	F167900	P20G P200G P1000G	D200 D1000	3 SINGLE Pipette Holders 3 Plastic ejectors 3 PIPETMAN Comfort Handle 1 Gilson Guide to Pipetting 1 Two-Minute Inspection poster				
PIPETMAN G Micro-volume Kit	F167800	P2G P10G P100G	DL10 D200	3 SINGLE™ Pipette Holders 3 plastic ejectors 3 PIPETMAN Comfort Handle 1 Gilson Guide to Pipetting 1 Two-Minute Inspection Poster				
PIPETMAN G Large-volume kit	F167920	P5000G P10mLG	-	2 bags of 10 filters				
PIPETMAN G Four Pipette Kit	F167360	P2G P20G P200G P1000G	DL10 D200 D1000	4 SINGLE Pipette Holders 4 PIPETMAN Comfort Handles 1 Gilson Guide to Pipetting 1 Two-Minute Inspection Poster				

PIPETMAN G single channel box includes:

- PIPETMAN G
- PIPETMAN G Quick Guide
- Safety bag
- Certificate of Conformity (including barcode sticker)
- Dual-position adapter (P2G and P10G only)
- Leaflet for adapter D10/DL10 (P2G and P10G only)

PIPETMAN G multichannel box includes:

- PIPETMAN G
- PIPETMAN G Quick Guide
- Safety bag
- Certificate of Conformity (including barcode sticker)
- Ejector spacer for D10 tips (PX10G models only)



Models equipped with a tip ejector are only sold with a stainless steel tip ejector. Plastic tip ejector is available as an accessory.

*P5000G and P10mLG do not have tip ejectors.

** PIPETMAN DIAMOND Tips used for calibration and associated with pipette volume range guaranteed Gilson specifications.

Gilson maximum permissible errors are guaranteed only when PIPETMAN pipettes are used with the recommended PIPETMAN DIAMOND Tips.



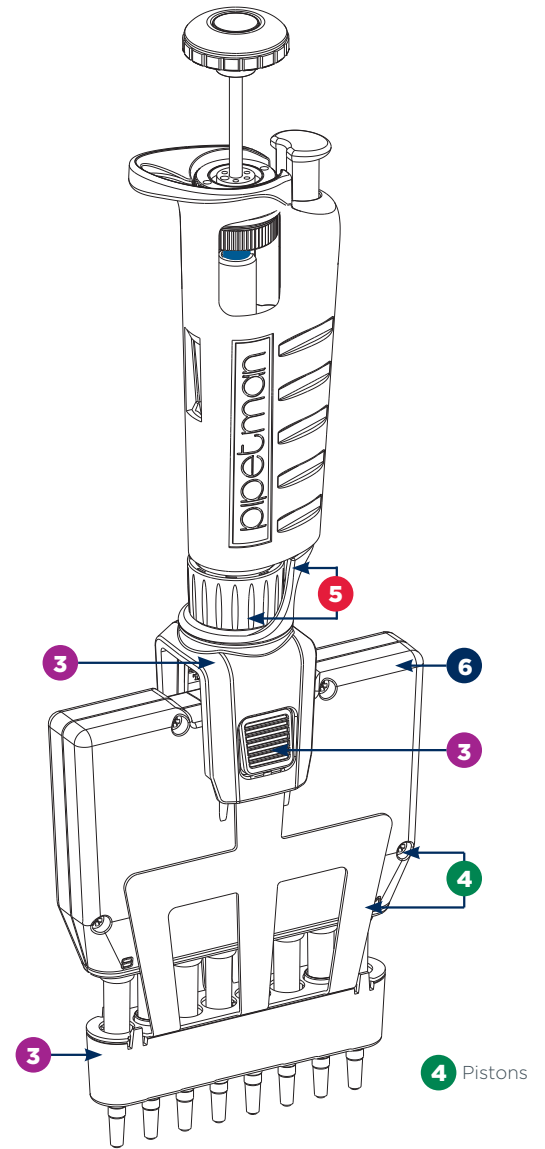
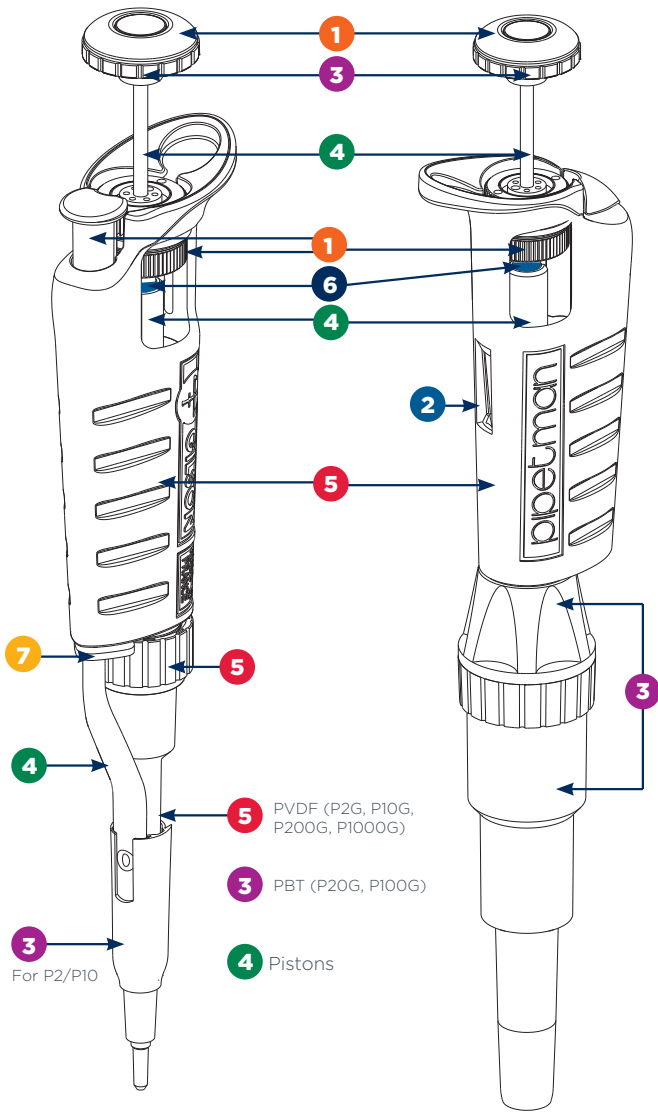
SPECIFICATIONS

Model	Part Number	PIPETMAN G Models		PIPETMAN G Models with Packaging	
		Length (mm)	Weight (kg)	Dimensions (W x D x H)	Weight (kg)
PIPETMAN G Single Channel					
PIPETMAN P2G	F144054M	243	0.096	32 x 11 x 4	0.19
PIPETMAN P10G	F144055M	245	0.098	32 x 11 x 4	0.19
PIPETMAN P20G	F144056M	258	0.099	32 x 11 x 4	0.19
PIPETMAN P100G	F144057M	257	0.098	32 x 11 x 4	0.19
PIPETMAN P200G	F144058M	253	0.108	32 x 11 x 4	0.2
PIPETMAN P1000G	F144059M	284	0.120	32 x 11 x 4	0.21
PIPETMAN P5000G	F144066	277	0.128	32 x 11 x 5	0.24
PIPETMAN P10MLG	F144067	276	0.166	32 x 11 x 5	0.31
PIPETMAN G Multichannel					
PIPETMAN P8X10G	F144068	275	0.200	33 x 15.5 x 4	0.39
PIPETMAN P12X10G	F144069	275	0.250	33 x 15.5 x 4	0.44
PIPETMAN P8X20G	F144070	273	0.200	33 x 15.5 x 4	0.37
PIPETMAN 12X20G	F144071	273	0.245	33 x 15.5 x 4	0.4
PIPETMAN P8X200G	F144072	268	0.210	33 x 15.5 x 4	0.38
PIPETMAN P12X200G	F144073	268	0.265	33 x 15.5 x 4	0.415
PIPETMAN P8X300G	F144074	260	0.230	33 x 15.5 x 4	0.4
PIPETMAN P12X300G	F144075	260	0.275	33 x 15.5 x 4	0.45
PIPETMAN G Kits					
PIPETMAN G STARTER KIT	F167900	-	-	37 x 30.5 x 12	1.58
PIPETMAN G 4-PIPETTE KIT	F167360	-	-	37 x 30.5 x 12	1.98
PIPETMAN G MICRO-VOLUME KIT	F167800	-	-	37 x 30.5 x 12	1.95
PIPETMAN G LARGE-VOLUME KIT	F167920	-	-	33.5 x 22 x 5	0.6





DESCRIPTION AND MATERIALS



Label	Materials
1	Poly Oxy Methylene (POM)
2	Polycarbonate (PC)
3	Polybutylene Therephtalate (PBT)
4	Stainless Steel (SS)
5	Polyvinylidene Fluoride (PVDF)
6	Polyamide (PA)
7	Polypropylene (PP)



ACCESSORIES

Description*	Part Number
Plastic ejector P2/P10 with adapter	F107027
Plastic ejector P20	F107028
Plastic ejector P100	F107029
Plastic ejector P200	F107030
Plastic ejector P1000	F107031

*For PIPETMAN Classic and PIPETMAN G

Description	Part Number
CARROUSEL Pipette Stand (7 pipettes)	F161401
TRIO Stand (3 pipettes)	F161405
SINGLE Pipette Holder	F161406

Description	Part Number
COLORIS clips (mixed colors set of 10)	F161301
COLORIS clips (red, set of 10)	F161302
COLORIS clips (yellow, set of 10)	F161303
COLORIS clips (green, set of 10)	F161304
COLORIS clips (blue, set of 10)	F161305
COLORIS clips (white, set of 10)	F161306

Description	Part Number
THE JIMMY (set of 3)	F144983

Description	Part Number
Corrosion Protection Kit (tip holder + a bag of 10 filters)	F144570

Universal Multichannel Stand



CARROUSEL™



COLORIS™ Identification Clip



TRIO™ Pipette Stand



SINGLE™ Pipette Holder



JIMMY™



Corrosion Protection Kit





SPARE PARTS

Service Kit 1st level includes:

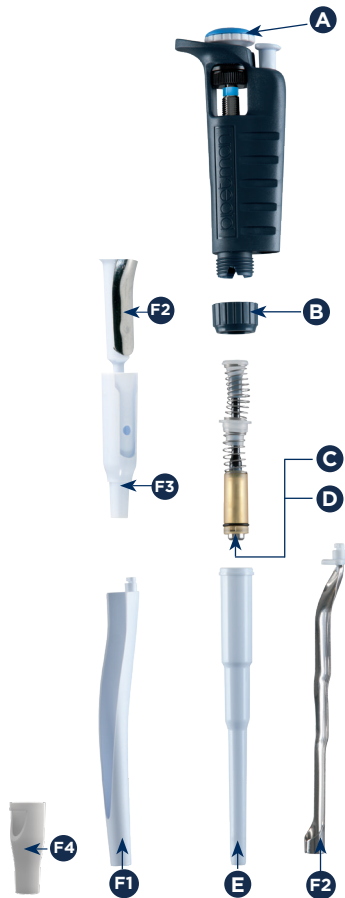
- 3 piston seals* or seal guides **C**
- 3 O-rings* **D**
- 1 tip holder **E**

Service Kit 2nd level includes:

- 1 push button **A**
- 1 connecting nut **B**
- Stainless steel tip ejector **F2**
- Plastic tip ejector **F1**, also available separately as an accessory

For the P2G and P10G models only:

- 5 dual-position adapters for stainless steel tip ejector **F3**
- 1 extension for plastic tip ejector **F4**



Single Channel Models

P2G (F144054M) AND P10G (F144055M)			
LABEL	DESCRIPTION	P/N FOR P2G	P/N FOR P10G
C+D+E	Service Kit 1st level	F144501	FA07001
A+B+F1 to F4	Service Kit 2nd level	F1619702	F1619712
C+D	Seal Guide + O-ring (5 sets)	F144861	FA07012
F3	Dual-Position Adapter (x5)	F144879	F144879
F4	Tip ejector extension	F2070903	F2070903

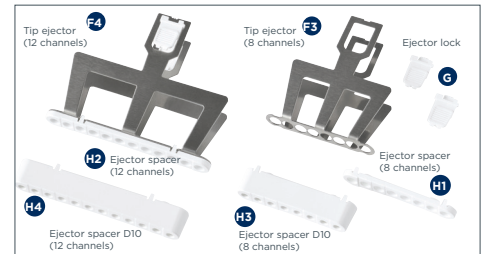
P20G (F144056M) AND P100G (F144057M)			
LABEL	DESCRIPTION	P/N FOR P20G	P/N FOR P100G
C+D+E	Service Kit 1st level	FA07002	FA07003
A+B+F	Service Kit 2nd level	F1619722	F1619732
C+D	Seal Guide + O-ring (5 sets)	FA07013	FA07014

P200G (F144058M) AND P1000G (F144059M)			
LABEL	DESCRIPTION	P/N FOR P200G	P/N FOR P1000G
C+D+E	Service Kit 1st level	FA07004	FA07005
A+B+F	Service Kit 2nd level	F1619742	F1619782
C+D	Seal Guide + O-ring (5 sets)	FA07015	FA07016

P5000G (F144066) AND P10MLG (F144067)			
LABEL	DESCRIPTION	P/N FOR P5000G	P/N FOR P10MLG
C+D+E	Service Kit 1st level	FA07021	FA07022
C+D	Seal Guide + O-ring (2 sets)	FA07017	FA07018
E	Tip holder	F123608	F161263

DESCRIPTION	PART NUMBER
Lubricant	5440011070

Multichannel Models



P8X10G (F144068) AND P12X10G (F144069)			
LABEL	DESCRIPTION	P/N FOR P8X10G	P/N FOR P12X10G
F3-F4	Tip ejector	F507005	F507006
G	Ejector lock	F507008	F507008
H1 - H2	Ejector spacer	F507001	F507003
H3 - H4	Ejector spacer D10	F807114	F807115

P8X20G (F144070) AND P12X20G (F144071)			
LABEL	DESCRIPTION	P/N FOR P8X20G	P/N FOR P12X20G
F3-F4	Tip ejector	F507005	F507006
G	Ejector lock	F507008	F507008
H1 - H2	Ejector spacer	F507001	F507003

P8X200G (F144072) AND P12X200G (F144073)			
LABEL	DESCRIPTION	P/N FOR P8X200G	P/N FOR P12X200G
F3-F4	Tip ejector	F507005	F507006
G	Ejector lock	F507008	F507008
H1 - H2	Ejector spacer	F507001	F507003

P8X300G (F144074) AND P12X300G (F144075)			
LABEL	DESCRIPTION	P/N FOR P8X300G	P/N FOR P12X300G
F3-F4	Tip ejector	F507005	F507006
G	Ejector lock	F507008	F507008
H1-H2	Ejector spacer	F507001	F507003

* For P5000G, two piston seals and O-rings are provided on the Service Kit 1st level.



REGULATORY COMPLIANCE

PIPETMAN G conforms to the Use of Hazardous Substances Directive **2015/863/EU**

WARRANTY

Gilson warrants this pipette against defects in material under normal use and service for a period of **three years for both single channel and multichannel models** from the date of purchase.

This warranty shall not apply to pipettes which are subject to abnormal use and/or improper or inadequate maintenance (contrary to the recommendations given in the user's guide), including, but not limited to pipettes which have been subjected to physical damage, improper handling, or spillage or exposure to any corrosive environment. This warranty shall also be void in the event pipettes are altered or modified by any party other than Gilson or its designates. Gilson's sole liability under this warranty shall be limited to, at Gilson's sole option, repair, or replacement of any defective components of pipettes or refund of the purchase price paid for such pipettes. **Routine cleaning, control, and recalibration are not covered under the warranty. The replacement of wearing parts such as seals, o-rings, broken pistons assembly, and broken tip holders are not covered under the warranty.**

www.gilson.com/contactus

ISO 9001 LT801628/A I ©2019 Gilson S.A.S.
CERTIFIED All rights reserved. All trademarks are the property
of Gilson, Inc. and its subsidiaries.

