

TAKE WEIGHING PRECISION AND PROTECTION TO NEW HEIGHTS

Advanced Sensor Technology

Smart-SHS the latest advancement in our super hybrid design, construction & algorithms

- Increased productivity via faster stabilization times (1 second in fast mode)
- Lower cost of ownership due to reduce number of parts and maintenance accessibility

Innovative Solutions

Electronically Controlled Load (ECL) Initially does a self-diagnostic before performing an internal repeatability test without an external weight in < 1.5 minutes.

- *Dia-Check* is the diagnostic result that validates if the balance critically passes or fails.
- *SD* is standard deviation that allows for daily precision check ideal for S.O.P's
- *QuickMin-S* determines minimum sample weight in any given environment.
- *Min-S Alert* – Alerts user to ensures they are operating within USP41 compliance.

Impact Shock Detection (ISD)

- *Impact-Alert* visually & audible indicates the magnitudes of impact shocks.
- *Shock-log* documents date, time, and shock level.

Flow Rate Display (FRD) streamline & improve filling or dosing accuracy & precision.

- *FR-Cal* calculates, displays/outputs the mass or volume flow rate by entering density.
- *FR-Compare* is a comparator which provides feedback if the flow rate is within limits.
- *FR-Secure* stores tare values in our non-volatile memory if application was disrupted.

Good Data Management

External Calibration easy one touch button performs & document external calibration.

Universal Flexi Coms (UFC) edit serial data output making label printing possible.

Password-Protect offers password-protection up to 11 users and 1 administrator.

GLP/GMP/GCP Compliance outputs manufacturer, model, serial number, ID, date, time, signature for full calibration report.

Practical Features

Leveling Made Easy

- Plug in, turn on, screen blinks for 5 seconds to prompt user to level.
- *Bright-bubble* – Large, easy-to-see, front mounted spirit level with LED Illumination.
- *Fly-thumbwheel* is effortless & accessible allows ergonomic adjustment with anti-slip feet.

Simple User Interface

- *Six straightforward keys* – ON/OFF, CAL, MODE, SAMPLE, PRINT, REZERO.
- *Reverse Backlit LCD* is a large display with great B&W contrast provides excellent visibility.

Cleanable Robust Construction

- *Stainless Steel Pan & Dust-plate* can be easily removed for cleaning .
- *Easy to assemble* anti-static breeze break on 0.001 readability models.
- *Die-cast Aluminum* housing provides extra stability and durability.

Flexible Interface & Security

- *Standard RS-232C & USB* – Toggle between the Quick USB mode or Virtual COM mode (bi-directional). A USB cable comes standard.
- *Security Slot* – Anti-theft lock (such as Kensington) to prevent loss.



KEY FEATURES:

SMART SHS

Super Hybrid Sensor



GF-A External Calibration



ECL Electronically Controlled Load



ISD Impact Shock Detection



FRD Flow Rate Display



USB - Bidirectional



RS-232C

UFC

Universal Flexi Coms



Password Protect

Specifications

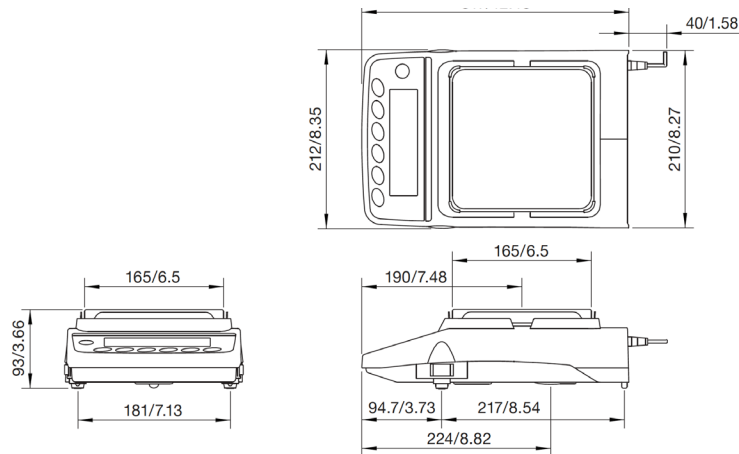
GF-A Models External Calibration		GF-123A	GF-203A	GF-303A	GF-403A	GF-603A	GF-1003A	GF-1603A	GF-1202A	GF-2002A	GF-3002A	GF-4002A	GF-6002A	GF-10002A	GF-6001A	GF-10001A	
Capacity		122 g	220 g	320 g	420 g	620 g	1100 g	1620 g	1220 g	2200 g	3200 g	4200 g	6200 g	10200 g	6200 g	10200 g	
Readability		0.001 g							0.01 g					0.1 g			
Repeatability (std. deviation)		0.001 g						0.002 g 1600g 0.001 g 1000g		0.01 g				0.02 g 10kg 0.01 g 5kg		0.1 g	
Linearity		±0.002 g				±0.003 g			±0.02 g				±0.03 g		±0.1 g		
Accuracy after external calibration (GF-A series) ⁱ		± 0.010 g						± 0.010 g 1kg		± 0.10 g		± 0.15 g		± 0.15 g 5000 g		± 0.5 g 5000 g	
Stabilization Time		~ 1 sec (~0.8 sec for 5 g)						~1.5 sec (~0.8 sec 5 g)		~ 1 sec (~0.8 sec 50 g)				~ 1.5 sec (~0.8 sec 50 g)		~1 sec (~0.8 sec for 500 g)	
Sensitivity drift		±2 ppm / °C (10 °C to 30 °C / 50 °F to 86 °F, when automatic self-calibration is OFF)															
Calibration	Type	External															
	Wt. g.	50 g 100 g	50 g 100 g 200g	50 g 100 g 200 g 300 g	50 g 100 g (100 g interval) 400 g	50 g 100 g (100 g interval) 600 g	50 g 100 g (100 g interval) 1000 g	50 g 100 g (100 g interval) 1600 g	500 g 1000 g	500 g 1000 g 2000g	500 g 1000 g 2000 g 3000 g	500 g 1000 g (1000 g interval) 4000 g	500 g 1000 g (1000 g interval) 6000 g	500 g 1000 g (1000 g interval) 10000 g	500 g 1000 g (1000 g interval) 6000 g	500 g 1000 g (1000 g interval) 10000 g	
Display		Reverse Backlit LCD (Character height: 17.8 mm)															
Display Refresh Rate		5 times / second, 10 times / second or 20 times / second															
Units of Measure ⁱⁱ		g (gram), oz (ounces), lb (pound), lb-oz (pound-ounce), ozt (troy ounce), ct (metric carat), mom (momme), dwt (pennyweight), gr (grain), pcs (counting mode), % (percent mode), SG (specific gravity), and a user-programmable unit.															
Counting mode	Min unit mass	0.001 g							0.01 g					0.1 g			
	Number of samples	5, 10, 25, 50 or 100 pieces															
Percent mode	Min 100% ref mass	0.100 g							1.00 g					10.0 g			
	Min 100% display	0.01%, 0.1% or 1% (depends on the reference mass stored)															
Operating environment		5 °C to 40 °C / 41 °F to 104 °F, 85% R.H. or less (no condensation)															
Power supply / consumption		AC adapter / approx. 30 VA															
Communication Interface		Standard: RS-232C and USB Optional: Quick USB, LAN Ethernet (FXi-08), USB Host (GXA-24), Bluetooth Converters: AD-8529PC-W, AD8529PR-W															
Weighing pan size		128 mm × 128 mm / 5 × 5 in															
Dimensions (W × D × H)		212 (W) × 317 (D) × 93 (H) mm / 8.3 (W) × 12.5 (D) × 3.7 (H) in															
Net weight		Approx. 5 kg / 11 lb															
Weighing Applications		Counting with ACAI, % Weighing, Animal Weighing, Density Determination, Statistical Calculation, Comparator HI OK LO, Underhook, Gross/Net/Tare															
Options		Interfaces: GXA-03 2nd RS232, GXA-04 Comparator Relay, GXA-06 Analog output External Key Input Interfaces: GXA-23-PRINT, GXA-23-REZERO, GXA-23-PLUG Breeze Break: GXA-10 Large BB, GXA-17 Large BB with Ionizer GXA-13 Density Kit, GXA-25 External Ionizer, GXA-26 External IR Switch, GXA-12 Animal Weigh Pan															
Accessories		TB247 Power Supply, AD-8127 Compact Printer, AD-1682 External Rechargeable Battery (for more accessories visit www.andweighing.com)															

ⁱ Under stable environment (no rapid temperature/humidity change, vibration, draft, magnetism, static, etc). The mass of the internal weight may vary with age.

ⁱⁱ One additional unit from tael (Singapore/HK jewelry/Taiwan/China), tola or Newton can be added upon request.

Dimensions (mm/inch)

Models with readability of 0.01g and 0.1g



Models with readability of 0.001g

