

## Phoenix Compact

Specifications for a Phoenix 40 & 60 electric model

### Design Features

- 40 or 60 litres
- MP25 Controller
- Robust space saving design
- Single phase 'plug & play'
- Capacity of up to 12 x 1 litre bottles
- Phoenix fits on a standard bench
- Integral drip tray
- Grade 316 stainless steel chamber
- Anti door bolt over tight mechanism
- Complete versatility for almost any application

### Optional Accessories

- † Loading Baskets
- † Waste Discard System
- † Fan Assisted High Speed Cooling
- † Condense Collector, which eliminates a drain requirement.
- † Air removal HEPA filter
- † Data Printers & Chart Recorders
- † Vacuum & Drying options
- † Anti Lime scale system



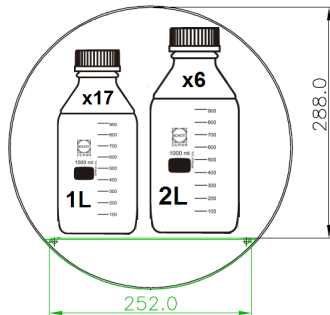
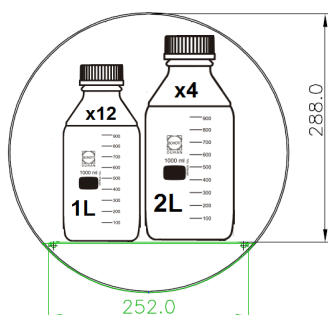
### Capacities and dimensions

Model	Phoenix 40	Phoenix 60
Autoclave Weight	108kg	115kg
Export Case Size	720w x 860h x 860d	720w x 860h x 1030d
Overall Dimensions	550w x 790h x 710d	550w x 790h x 860d
Chamber Dimensions	350 Ø x 460d	350 Ø x 600d
Water Consumption (typical per cycle)	75ml	75ml
1L Media Bottles	12	17
2L Media Bottles	4	6
Basket Dimensions	H227xW245xL430	H227xW245xL578
Waste Discard Dimensions	H227xW245xL430	H227xW245xL578
Trolley	H700xW570xL800	H700xW570xL800



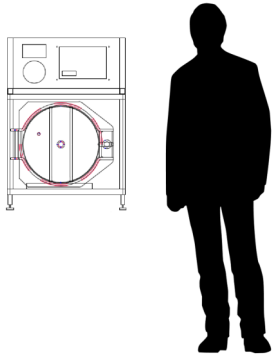
Phoenix 40

Phoenix 60

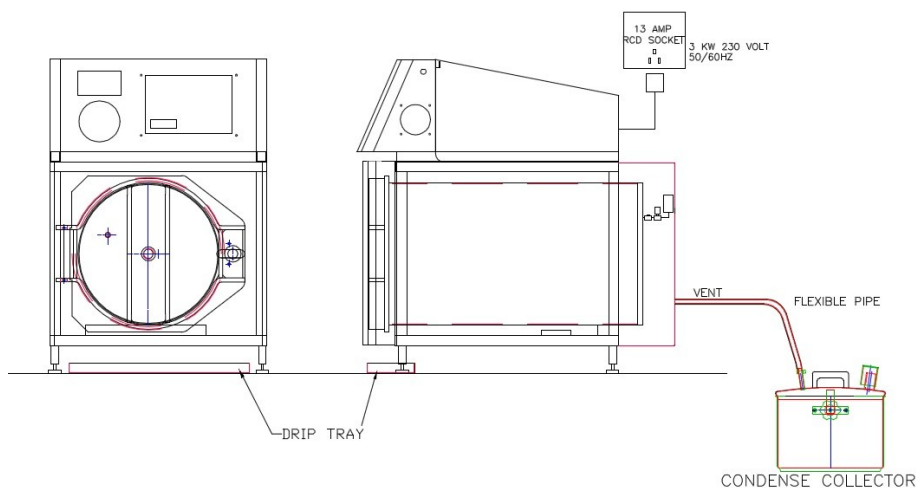


# The Rodwell Autoclave Company

## Human Scale



## Typical Installation



Safe Design Operating Limits		
Model	Phoenix 40	Phoenix 60
Max working temperature	138 °C	138 °C
Min working temperature	7 °C	7 °C
Max ambient temperature	28 °C	28 °C
Min ambient temperature	11 °C	11 °C
Max hydraulic pressure	4.14 Bar	4.14 Bar
Max working pressure	2.62 Bar	2.62 Bar
Max working vacuum	Minus 1 Bar	Minus 1 Bar

Site Requirements		
Electrical site requirement: 1RCD 13amp Socket Outlet		
Model	Phoenix 40	Phoenix 60
Voltage	230V	230v
Phase Requirement	1ph/N 50/60 Hz	1ph/N 50/60 Hz
Power Consumption	3kw	3kw
Fuse Rating	13 amp	13 amp

## Option Requirements

- The auto fill option requires the purchase of the mounting trolley
- Drying option will require vacuum and auto water dump with a plumbed in drain service and the purchase of the mounting trolley.
- Drain requirement of 150°C, 35Ømm copper pipe at floor level.

## General Requirements

- †Sodium Chloride must not exceed a level greater than 500 ppm.
- †Use regular mains water only. DO NOT USE distilled or RO water.

## Complying Standards

- PED Cat 2 Module **B+D** Notified Body: British Engineering No. 0040
- Harmonised Standards applied: EMC BS EN 61326
- Community directives applied : Pressure Equipment Directive – PED 2014/68/EU (formerly PED 97/23/EC)
- Designed in accordance with PD5500 (formerly BS5500) & BS2646
- Chamber and Door constructed of stainless steel BS-EN 10028-7:316
- ISO 9001: 2008
- CE Marked

Information is subject to change to suit different options added. This information is correct as of 6th September 2017, E & OE