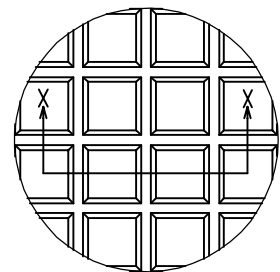
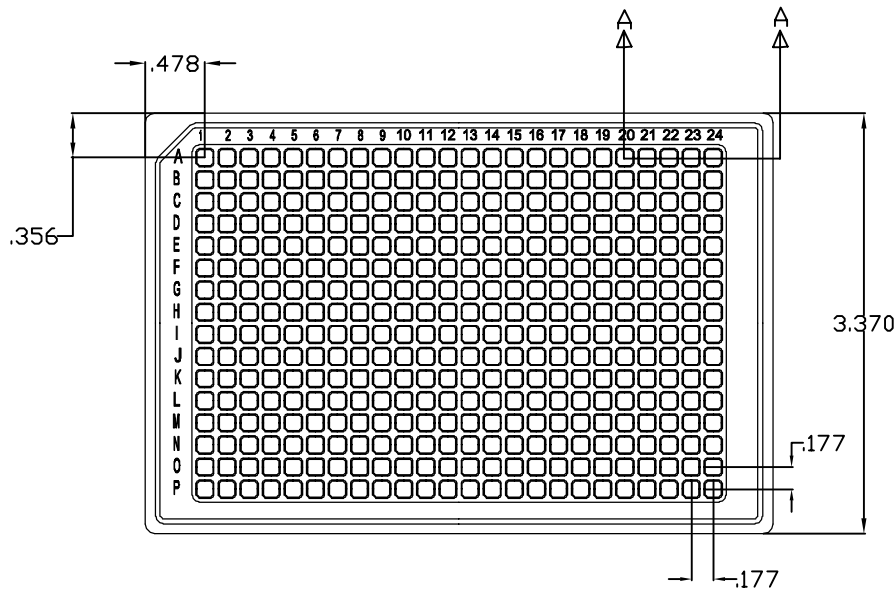
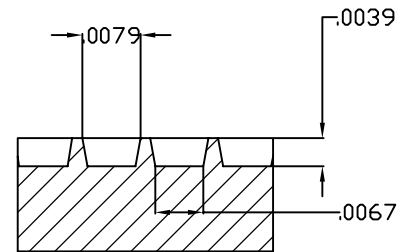


SECTION A - A

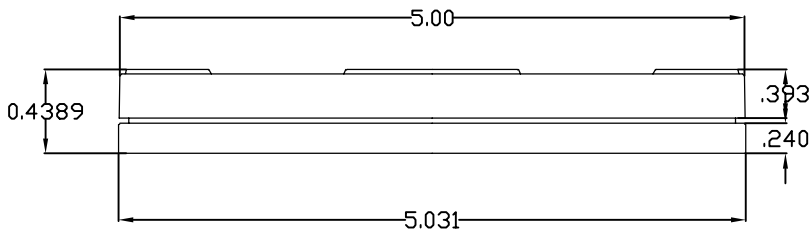
384 WELL MICRO
CAVITY INSERT
.0158 THICK



MICROCAVITY DETAIL



SECTION X-X



ALL DIMENSIONS ARE NOMINAL
DIMENSIONS IN INCHES UNLESS OTHERWISE NOTED

CORNING INCORPORATED
LIFE SCIENCES DIVISION
BIG FLATS, NY

ITEM: 4447 PLATE, 384 WELL, 200/100 SQUARE MICROCAVITY WITH LID

ENAMEL COLOR: NOT APPLICABLE

MATERIAL: COVER AND MICROCAVITY INSERT (CLEAR PS) PLATE FRAME (BLACK PS)

SCALE: NTS

DATE: 8 JAN 2020

CORNING