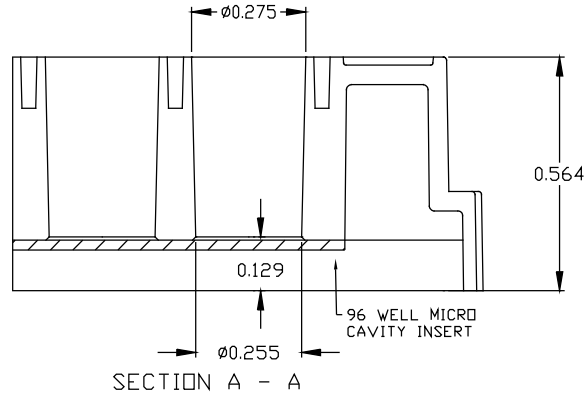


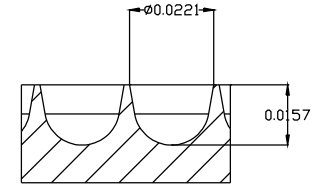
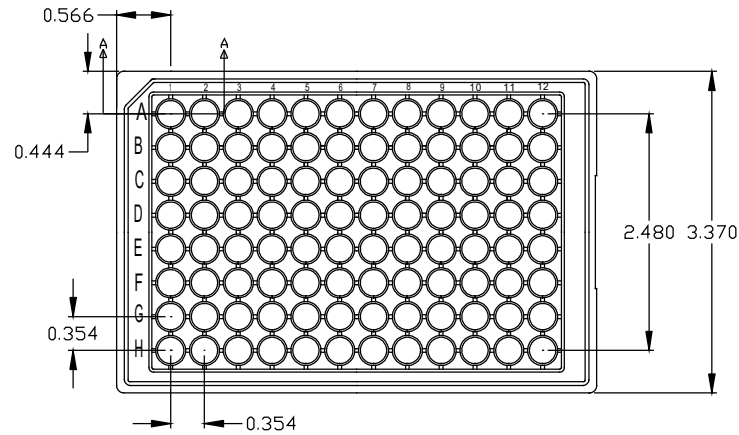
REVISIONS				
REV	DR	DESCRIPTION	DATE	APPROVED
00	JFM	Initial Product Drawing	7/2/19	

NOTE:

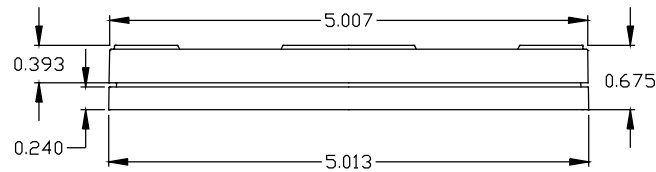
1. Refer to product description for additional product information.



TOP VIEW SHOWN WITHOUT COVER



MICROCAVITY DETAIL



is a registered trademark of Corning Incorporated

**CORNING**  
 Corning Incorporated Proprietary  
 Corning Incorporated  
 Science Products Division  
 Corning, NY 14831

Tolerances: Unless otherwise specified dimensions are nominal for reference only

Drawn JFM Date 07/02/19  
 Chkd XXX XXXXXX  
 Matl See product descrip.  
 Customer Spec. Sht. 1 of 1

**CORNING**<sup>o</sup>  
 Seikoh 96 Well  
 99050-212 Rev 00