



NEW! Thermo Scientific  
F1-ClipTip Pipetting System

**sealed in security**  
feel the difference

**Thermo**  
SCIENTIFIC



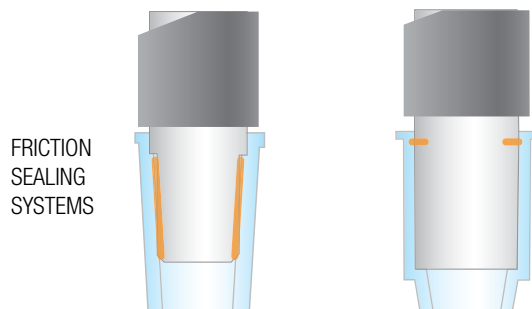
# breakthrough ClipTip technology

You'll feel the difference the first time you hold the **NEW** Thermo Scientific F1-ClipTip pipetting system

Achieve newfound confidence knowing that once attached, your tips are locked firmly in place, and will not loosen or fall off regardless of application pressure. The innovative three interlocking clip design ensures the tip is held securely on the F1-ClipTip pipette until – and only until – it is released.

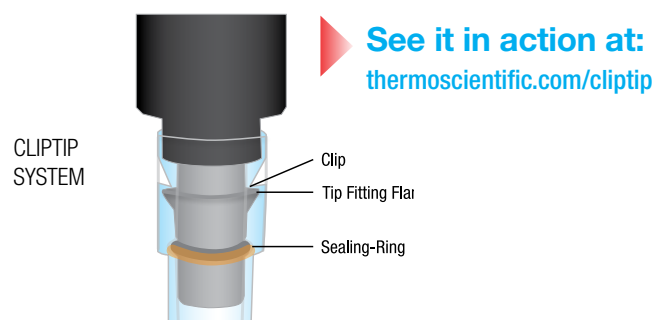
## Worry-free pipetting is finally here. With the only tip that clips.

In liquid handling, it is a challenge to ensure a quality seal in daily pipetting. The ideal solution is for the pipette and tip to form a system that increases confidence in reproducibility, reduces forces required to attach and detach the system, and secures the best possible accuracy and precision.



Pipettes with a friction seal system, rely on a user's force to attach tips to the pipette, which varies from user to user.

- Increased tip attachment and ejection forces
- Loose tips which can drop off or leak air
- Decreased confidence in reproducibility of results
- Premature tip cone wear



Revolutionary ClipTip interlocking technology has a locking interface between the pipette fitting and tips that seal by clipping into place.

- Extremely low tip attachment and ejection forces
- Complete seal on every channel
- No loose tips
- Reproducibility you can count on

# feel the confidence

## **Eliminate the frustration of banging tips on your pipette.**

With a light touch, each tip is 'clipped' securely on the F1-ClipTip pipette.

## **Consistent and reproducible pipetting – user to user,**

higher quality results and more efficient research.

## **When ClipTip pipette tips are on, they are sealed and will not loosen.**

The F1-ClipTip pipetting system remains sealed until you decide to eject tips.



accurate data.  
more discoveries.

With over 40 years of pipetting innovations, expect the very best and so much more...



### Ergonomic design

Offering low attachment, ejection and plunger forces for safe and comfortable use

### Remarkably lightweight

Modern design protects user from the risk of Repetitive Strain Injuries (RSI)

### Adjustable comfort

The 120° adjustable finger rest – for both right- and left-handed operator comfort – allows the hand to relax during pipetting cycles

### Patented soft-touch tip ejection

Innovative gearing mechanism produces more downward force with less effort, releasing tips with a gentle push

### Patented super blow-out

150% increase in air boost to ensure efficient delivery of micro-volumes and prevent capillary action\*

### Volume lock adjustment

The secure volume setting prevents undesirable volume drift during operation.

### Industry-leading lifetime warranty

With convenient online registration

### CE marked

The F1-ClipTip pipetting system is CE-marked in accordance with IVD Directive in Europe.

\*Available in 50 µl models and below

## Thermo Scientific ClipTip Pipette Tips

**The best choice in security  
with a unique, patented  
locking design**

### Low retention

Every ClipTip pipette tip utilizes low retention technology to enable maximum sample recovery

### Proven quality

Certified free of RNase, DNase, DNA, ATP and endotoxin contamination

### Environmentally responsible

Our reload system uses recycled components and 30% less plastic

# a secure seal for every sample

Obtaining the correct sample volume is often the first step in a series that your research requires. **The F1-ClipTip pipetting system** ensures you have a complete seal for each channel when the tips are locked into place. Whether you're using a single or multichannel pipette, you will get the exact volume you expect to accelerate discovery.



## No more uncertainty – just confidence in your applications

Once attached the ClipTip pipette tips are locked in place forming a complete seal on every channel. Your friction based pipetting system might look like tips are on, but how certain are you?



# Thermo Scientific F1-ClipTip and ClipTip Pipette Tips

- 10 µl/ 20 µl
- 50 µl
- 100 µl/ 200 µl
- 300 µl
- 1000 µl

Item No.	Description	Color Key	Volume Range	Increment/Packaging
<b>10/20 µl PIPETTES</b>				<b>Increment</b>
4641170	F1-ClipTip 1-10 µl	<span style="color: #e91e63;">●</span>	1-10 µl	0.02 µl
4641180	F1-ClipTip 2-20 µl	<span style="color: #e91e63;">●</span>	2-20µl	0.02µl
4661110	F1-ClipTip 8-ch 1-10 µl	<span style="color: #e91e63;">●</span>	1.0-10 µl	0.02 µl
4661150	F1-ClipTip 12-ch 1-10 µl	<span style="color: #e91e63;">●</span>	1.0-10 µl	0.02 µl
<b>20 µl TIPS</b>				<b>Packaging</b>
94410210	ClipTip 20	<span style="color: #e91e63;">●</span>	1-20 µl	Racked, 96 tips/rack, 10 racks/pack
94410213	ClipTip 20	<span style="color: #e91e63;">●</span>	1-20 µl	Racked, Sterile, 96 tips/rack, 10 racks/pack
94410217	ClipTip 20	<span style="color: #e91e63;">●</span>	1-20 µl	Reload Stacks, 96 tips/insert, 10 inserts
94410218	ClipTip 20	<span style="color: #e91e63;">●</span>	1-20 µl	Reload Stacks, Sterile, 96 tips/insert, 10 inserts/pack
94420213	ClipTip 20	<span style="color: #e91e63;">●</span>	1-20 µl	Racked, Filtered, Sterile, 96 tips/rack, 10 racks/pack
94420218	ClipTip 20	<span style="color: #e91e63;">●</span>	1-20 µl	Reload, Filtered, Sterile, 96 tips/insert, 10 inserts/pack
<b>50 µl PIPETTES</b>				<b>Increment</b>
4641190	F1-ClipTip 5-50 µl	<span style="color: #3f51b5;">●</span>	5-50 µl	0.1 µl
4661120	F1-ClipTip 8-ch 5-50 µl	<span style="color: #3f51b5;">●</span>	5-50 µl	0.1 µl
4661160	F1-ClipTip 12-ch 5-50 µl	<span style="color: #3f51b5;">●</span>	5-50 µl	0.1 µl
<b>50 µl TIPS</b>				<b>Packaging</b>
94410250	ClipTip 50	<span style="color: #3f51b5;">●</span>	5-50 µl	Racked, 96 tips/rack, 10 racks/pack
94410253	ClipTip 50	<span style="color: #3f51b5;">●</span>	5-50 µl	Racked, Sterile, 96 tips/rack, 10 racks/pack
94410257	ClipTip 50	<span style="color: #3f51b5;">●</span>	5-50 µl	Reload Stacks, 96 tips/insert, 10 inserts
94410258	ClipTip 50	<span style="color: #3f51b5;">●</span>	5-50 µl	Reload Stacks, Sterile, 96 tips/insert, 10 inserts
94420253	ClipTip 50	<span style="color: #3f51b5;">●</span>	5-50 µl	Racked, Filtered, Sterile, 96 tips/rack, 10 racks/pack
94420258	ClipTip 50	<span style="color: #3f51b5;">●</span>	5-50 µl	Reload, Filtered, Sterile, 96 tips/insert, 10 inserts/pack
<b>100 µl / 200 µl PIPETTES</b>				<b>Increment</b>
4641200	F1-ClipTip 10-100 µl	<span style="color: #ffeb3b;">●</span>	10-100 µl	0.2 µl
4641210	F1-ClipTip 20-200 µl	<span style="color: #ffeb3b;">●</span>	20-200 µl	0.2 µl
4661130	F1-ClipTip 8-ch 10-100 µl	<span style="color: #ffeb3b;">●</span>	10-100 µl	0.2 µl
4661170	F1-ClipTip 12-ch 10-100 µl	<span style="color: #ffeb3b;">●</span>	10-100 µl	0.2 µl
<b>200 µl TIPS</b>				<b>Packaging</b>
94410310	ClipTip 200	<span style="color: #ffeb3b;">●</span>	10-200 µl	Racked, 96 tips/rack, 10 racks/pack
94410313	ClipTip 200	<span style="color: #ffeb3b;">●</span>	10-200 µl	Racked, Sterile, 96 tips/rack, 10 racks/pack
94410317	ClipTip 200	<span style="color: #ffeb3b;">●</span>	10-200 µl	Reload Stacks, 96 tips/insert, 10 inserts
94410318	ClipTip 200	<span style="color: #ffeb3b;">●</span>	10-200 µl	Reload Stacks, Sterile, 96 tips/insert, 10 inserts
94420313	ClipTip 200	<span style="color: #ffeb3b;">●</span>	10-200 µl	Racked, Filtered, Sterile, 96 tips/rack, 10 racks/pack
94420318	ClipTip 200	<span style="color: #ffeb3b;">●</span>	10-200 µl	Reload, Filtered, Sterile, 96 tips/insert, 10 inserts/pack
<b>300 µl PIPETTES</b>				<b>Increment</b>
4641220	F1-ClipTip 30-300 µl	<span style="color: #ff9800;">●</span>	30-300 µl	1 µl
4661140	F1-ClipTip 8-ch 30-300 µl	<span style="color: #ff9800;">●</span>	30-300 µl	1 µl
4661180	F1-ClipTip 12-ch 30-300 µl	<span style="color: #ff9800;">●</span>	30-300 µl	1 µl
<b>300 µl TIPS</b>				<b>Packaging</b>
94410510	ClipTip 300	<span style="color: #ff9800;">●</span>	30-300 µl	Racked, 96 tips/rack, 10 racks/pack
94410513	ClipTip 300	<span style="color: #ff9800;">●</span>	30-300 µl	Racked, Sterile, 96 tips/rack, 10 racks/pack
94410517	ClipTip 300	<span style="color: #ff9800;">●</span>	30-300 µl	Reload Stacks, 96 tips/insert, 10 inserts
94410518	ClipTip 300	<span style="color: #ff9800;">●</span>	30-300 µl	Reload Stacks, sterile, 96 tips/insert, 10 inserts
94420513	ClipTip 300	<span style="color: #ff9800;">●</span>	30-300 µl	Racked, Filtered, Sterile, 96 tips/rack, 10 racks/pack
94420518	ClipTip 300	<span style="color: #ff9800;">●</span>	30-300 µl	Reload, Filtered, Sterile, 96 tips/insert, 10 inserts/pack

# Thermo Scientific F1-ClipTip and ClipTip Pipette Tips

- 10 µl/ 20 µl
- 50 µl
- 100 µl/ 200 µl
- 300 µl
- 1000 µl

Item No.	Description	Color Key	Volume Range	Increment/Packaging
<b>1000 µl PIPETTES</b>				<b>Increment</b>
4641230	F1-ClipTip 100-1000 µl*	<span style="color: #0070c0;">●</span>	100-1000 µl	1 µl
<b>1000 µl TIPS</b>				<b>Packaging</b>
94410710	ClipTip 1000	<span style="color: #0070c0;">●</span>	100-1000 µl	Racked, 96 tips/rack, 8 racks/pack
94410713	ClipTip 1000	<span style="color: #0070c0;">●</span>	100-1000 µl	Racked, Sterile, 96 tips/rack, 8 racks/pack
94410717	ClipTip 1000	<span style="color: #0070c0;">●</span>	100-1000 µl	Reload Stacks, 96 tips/insert, 8 inserts
94410718	ClipTip 1000	<span style="color: #0070c0;">●</span>	100-1000 µl	Reload Stacks, sterile, 96 tips/insert, 8 inserts
94420713	ClipTip 1000	<span style="color: #0070c0;">●</span>	100-1000 µl	Racked, Filtered, Sterile, 96 tips/rack, 8 racks/pack
94420718	ClipTip 1000	<span style="color: #0070c0;">●</span>	100-1000 µl	Reload, Filtered, Sterile, 96 tips/insert, 8 inserts/pack

## Fixed Volume Pipettes

Item No.	Description	Color Key	Volume Range
4651170	F1-ClipTip 1 µl	<span style="color: #e91e63;">●</span>	1 µl
4651180	F1-ClipTip 5 µl	<span style="color: #e91e63;">●</span>	5 µl
4651190	F1-ClipTip 10 µl	<span style="color: #e91e63;">●</span>	10 µl
4651200	F1-ClipTip 20 µl	<span style="color: #e91e63;">●</span>	20 µl
4651210	F1-ClipTip 25 µl	<span style="color: #3949ab;">●</span>	25 µl
4651220	F1-ClipTip 50 µl	<span style="color: #3949ab;">●</span>	50 µl
4651230	F1-ClipTip 100 µl	<span style="color: #ffff00;">●</span>	100 µl
4651240	F1-ClipTip 200 µl	<span style="color: #ffff00;">●</span>	200 µl
4651250	F1-ClipTip 250 µl	<span style="color: #ff9800;">●</span>	250 µl
4651260	F1-ClipTip 500 µl*	<span style="color: #0070c0;">●</span>	500 µl
4651270	F1-ClipTip 1000 µl*	<span style="color: #0070c0;">●</span>	1000 µl

\* Short Shaft

▶ Go to [thermoscientific.com/cliptip](https://thermoscientific.com/cliptip) for additional specifications for the **F1-ClipTip Pipettes** or the **ClipTip Pipette Tips**

## Good Laboratory Pipetting Kits

Item No.	Description	Contents of Kit
4701140	<b>F1-ClipTip GLP Kit 1</b>	<ul style="list-style-type: none"> <li>• F1-ClipTip 1-10 µl single channel</li> <li>• F1-ClipTip 10-100 µl single channel</li> <li>• F1-ClipTip 100-1000 µl single channel</li> <li>• F-Series Stand</li> <li>• ClipTip 20 rack</li> <li>• ClipTip 200 rack</li> <li>• ClipTip 1000 rack</li> <li>• 25 ml reservoir</li> <li>• 25 ml divided reservoir</li> <li>• 100 ml divided reservoir</li> </ul>
4701150	<b>F1-ClipTip GLP Kit 2</b>	<ul style="list-style-type: none"> <li>• F1-ClipTip 2-20 µl single channel</li> <li>• F1-ClipTip 20-200 µl single channel</li> <li>• F1-ClipTip 100-1000 µl single channel</li> <li>• F1-ClipTip 30-300 µl 8-channel</li> <li>• F-Series Stand</li> <li>• ClipTip 20 rack</li> <li>• ClipTip 200 rack</li> <li>• ClipTip 300 rack</li> <li>• ClipTip 1000 rack</li> <li>• 25 ml reservoir</li> <li>• 25 ml divided reservoir</li> <li>• 100 ml divided reservoir</li> </ul>



## Accessories

Item No.	Description	Color Key	Increment/Packaging
9420400	F-Series Stand, white, 6 positions		
94410219	Empty Rack, Small	<span style="color: #e91e63;">●</span> <span style="color: #3949ab;">●</span>	10 racks, no tips/inserts
94410519	Empty Rack, Medium	<span style="color: #ffff00;">●</span> <span style="color: #ff9800;">●</span>	10 racks, no tips/inserts
94410819	Empty Rack, Large	<span style="color: #0070c0;">●</span>	8 racks, no tips/inserts



**Thermo**  
SCIENTIFIC



pipetting excellence  
**try it once –**  
you'll never go back

Visit [thermoscientific.com/cliptip](http://thermoscientific.com/cliptip)  
for application notes, product specifications  
and videos to watch the F1-ClipTip pipetting  
system in action!

## pipette warranty registration

Register your pipette online for a Free Lifetime Warranty  
[www.thermoscientific.com/pipetewarranty](http://www.thermoscientific.com/pipetewarranty)

[thermoscientific.com](http://thermoscientific.com)

© 2012 Thermo Fisher Scientific Inc. All rights reserved. All trademarks are the property of Thermo Fisher Scientific Inc. and its subsidiaries. Specifications, terms and pricing are subject to change. Validity of lifetime warranty varies by country. Not all products are available in all countries. Please consult your local sales representative for details.

**Australia** +61 39757 4300  
**Austria** +43 1 801 40 0  
**Belgium** +32 53 73 42 41  
**China** +86 21 6865 4588 or  
+86 10 8419 3588  
**France** +33 2 2803 2180  
**Germany national toll free** 0800 1 536 376  
**Germany international** +49 6184 90 6000

**India toll free** 1800 22 8374  
**India** +91 22 6716 2200  
**Italy** +39 02 95059 554  
**Japan** +81 45 453 9220  
**Netherlands** +31 76 579 55 55  
**New Zealand** +64 9 980 6700  
**Nordic/Baltic/CIS countries**  
+358 9 329 10200

**Russia** +7 812 703 42 15  
**Spain/Portugal** +34 93 223 09 18  
**Switzerland** +41 44 454 12 22  
**UK/Ireland** +44 870 609 9203  
**USA/Canada** +1 866 984 3766

**Other Asian countries** +852 2885 4613  
**Countries not listed** +49 6184 90 6000

**Thermo**  
SCIENTIFIC

Part of Thermo Fisher Scientific