

**OLYMPUS**<sup>®</sup>

Your Vision, Our Future

Biological Microscope

**CX23**

Bringing Reliability into the Classroom



# Diverse, User-Friendly Design Combined with Outstanding Optical Performance



Ergonomic grip

- Ergonomic grips add safety when retrieving the microscope from high places.
- Colored grips indicate appropriate places to hold the microscope.
- Smooth, rounded design eliminates all sharp edges.
- The CX23 is one of the lightest weight microscope in its class, with a total weight of approx. 5.9 kg (13.01 lbs).

Lift

1



Angled arm enables comfortable carrying



Ergonomic grip for easy carrying

- The CX23 features a carrying arm angled to keep the wrists in a comfortable, neutral position.
- The eyepiece can be fixed in place to help prevent damage or loss during transportation.
- A rackless stage and stage cover give safety and stable longtime operation.

Carry

2



Fixed eyepieces



Rackless stage and stage cover

- A locking pin keeps the observation tube in place.
- Interpupillary adjustments, ranging from 48 to 75 mm, allows individual users to set to their needs.
- Eyepoint adjustments accommodate the user's height and provides greater comfort.
- Left and right diopter adjustment enable optimal focus for each eye.

Prepare

3



Convenient and easy access power cable storage



Locking pin for easy binocular rotation



Interpupillary adjustment



Eyepoint height adjustment

## Operational Ease Across All Aspects of Use



### Set Sample

4

- The inward-facing revolving nosepiece allows for more space above the stage, enabling the easy setting and exchanging of specimens or adding of oil for the immersion objective.
- Objectives with long working distances give safety on specimens.
- Bring specimens quickly into focus by using the coaxial knobs for fine or coarse adjustment. Durably built for movement and precise control, whether accessed from the left or right side.
- A torque release function prevents damage in case excess force is applied to the coarse focusing knob or stage knob.



Inward-facing revolving nosepiece



Coaxial knobs

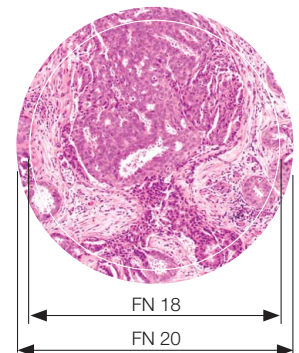
### Observe

5

- The focus lock prevents objectives and specimen from any damage.
- Field number (FN) of 20 ensures a wide field of view.
- The CX23 features plan achromat objectives that preserve outstanding image flatness throughout the field of view.
- The LED light source provides long life time of 20,000 hours, and offers low power consumption. Also, its reduced blue color preserves vivid colors on HE staining.



Focus lock



Wide field of view

### Store

6

- A storage compartment on the back of the CX23 makes it easy to stow the power cable after use.
- Protect your investment further with an optional custom designed wooden case.
- For added reassurance in situations when the CX23 needs to be left unattended, a built-in security slot allows attachment of an anti-theft cable.



Cable storage compartment

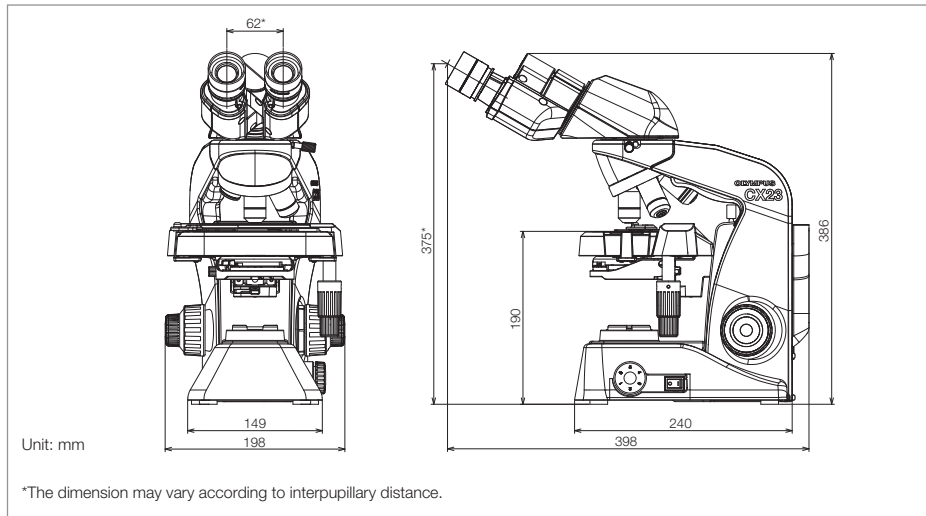


Built-in security slot

## CX23 Specifications

<b>Model</b>	CX23LEDRF (S1/S2)
<b>Body</b>	Aluminum die-casting metal frame, Protective covering
<b>Optical System</b>	Infinity optical system
<b>Illumination System</b>	Built-in transmitted illumination system, LED Power Consumption 0.5 W (nominal values)
<b>Focusing</b>	Stage height movement (coarse movement stroke: 15 mm), coarse adjustment limit stopper, Torque adjustment for coarse adjustment knob, Fine focus knob (minimum adjustment gradations: 2.5 µm)
<b>Revolving Nosepiece</b>	Fixed quadruple nosepiece
<b>Stage</b>	Wire movement mechanical fixed stage Traveling range: 76 mm (X) x 30 mm (Y), Specimen holder, Specimen position scale
<b>Observation Tube</b>	30° inclined binocular tube Interpupillary distance adjustment range: 48 – 75 mm, Eyepoint adjustment: 370.0 – 432.9 mm
<b>Objectives</b>	Plan achromat, anti-fungus 4X NA: 0.10 W.D.: 27.8 mm 10X NA: 0.25 W.D.: 8.0 mm 40X NA: 0.65 W.D.: 0.6 mm 100XOil NA: 1.25 W.D.: 0.13 mm (CX23LEDRFS1 only)
<b>Eyepiece (10X)</b>	Field Number (FN): 20 (anti-fungus)
<b>Optional Accessories</b>	Reflection mirror (CH20-MM), 15x eyepiece (WHSZ15X-H: FN 12, anti-fungus), Dedicated wooden case, Eyepiece micrometer, Darkfield stop (CH2-DS+CH2-FH)
<b>Weight</b>	Approx. 5.9 kg
<b>Rated Voltage/Electric Current</b>	AC 100–240 V 50/60 Hz 0.4 A
<b>Power Consumption</b>	Less than 2 W

## DIMENSIONS



Dedicated wooden case (optional)

Specimen courtesy of :  
 JAPANESE FOUNDATION FOR CANCER RESEARCH  
 Cancer Institute, Cancer Institute Hospital  
 Department of Pathology  
 Futoshi Akiyama, M.D., Ph.D.  
 Yuichi Ishikawa, M.D., Ph.D.

- OLYMPUS CORPORATION is ISO14001 certified.
- OLYMPUS CORPORATION is ISO9001 certified.
- OLYMPUS CORPORATION is ISO13485 certified.

- All company and product names are registered trademarks and/or trademarks of their respective owners.
- Specifications and appearances are subject to change without any notice or obligation on the part of the manufacturer.

[www.olympus-lifescience.com](http://www.olympus-lifescience.com)

**OLYMPUS**<sup>®</sup>

For enquiries - contact  
[www.olympus-lifescience.com/contact-us](http://www.olympus-lifescience.com/contact-us)

**OLYMPUS CORPORATION**  
 Shinjuku Monolith, 2-3-1 Nishi-Shinjuku, Shinjuku-ku, Tokyo 163-0914, Japan  
**OLYMPUS EUROPA SE & CO. KG**  
 Wendenstrasse 14-18, 20097 Hamburg, Germany  
**OLYMPUS SCIENTIFIC SOLUTIONS AMERICAS CORP.**  
 48 Woerd Avenue, Waltham, MA 02453, U.S.A.  
**OLYMPUS SINGAPORE PTE LTD.**  
 491B River Valley Road, #12-01/04 Valley Point Office Tower, Singapore 248373  
**OLYMPUS MEDICAL SYSTEMS INDIA PRIVATE LIMITED.**  
 102-B, First Floor, Time Tower, M.G. Road, Gurgaon 122001, Haryana, INDIA

**OLYMPUS LATIN AMERICA, INC.**  
 5301 Blue Lagoon Drive, Suite 290 Miami, FL 33126, U.S.A.  
**OLYMPUS (CHINA) CO., LTD.**  
 A8F, Ping An International Financial Center, No. 1-3, Xinyuan South Road,  
 Chaoyang District, Beijing, 100027 P.R.C.  
**OLYMPUS KOREA CO., LTD.**  
 8F Olympus Tower, 446 Bongeunsa-ro, Gangnam-gu, Seoul, 06153 Korea  
**OLYMPUS AUSTRALIA PTY. LTD.**  
 3 Acacia Place, Notting Hill VIC 3168, Australia