

Register your instrument!
www.eppendorf.com/myeppendorf



Eppendorf Xplorer® Eppendorf Xplorer® plus

Ordering information

Copyright© 2015 Eppendorf AG, Germany. All rights reserved, including graphics and images. No part of this publication may be reproduced without the prior permission of the copyright owner.

Eppendorf® and the Eppendorf logo are registered trademarks of Eppendorf AG, Germany.

epT.I.P.S.® and Eppendorf Xplorer® are registered trademarks of Eppendorf AG, Germany.

Registered trademarks and protected trademarks are not marked in all cases with ® or ™ in this manual.

Further information can be found on our website www.eppendorf.com.

All Xplorer and Xplorer plus versions covered by U.S. Patent Nos. 6,499,365; 6,778,917; 7,585,468; 7,674,432; 7,694,592; 8,028,592; 8,096,198; 8,570,029

All Xplorer and Xplorer plus versions single-channel up to 1000 µL and all multi-channel up to 300 µL additional covered by U.S. Patent No. 7,434,484

All Xplorer and Xplorer plus versions multi-channel up to 300 µL additional covered by U.S. Patent No. 7,673,532

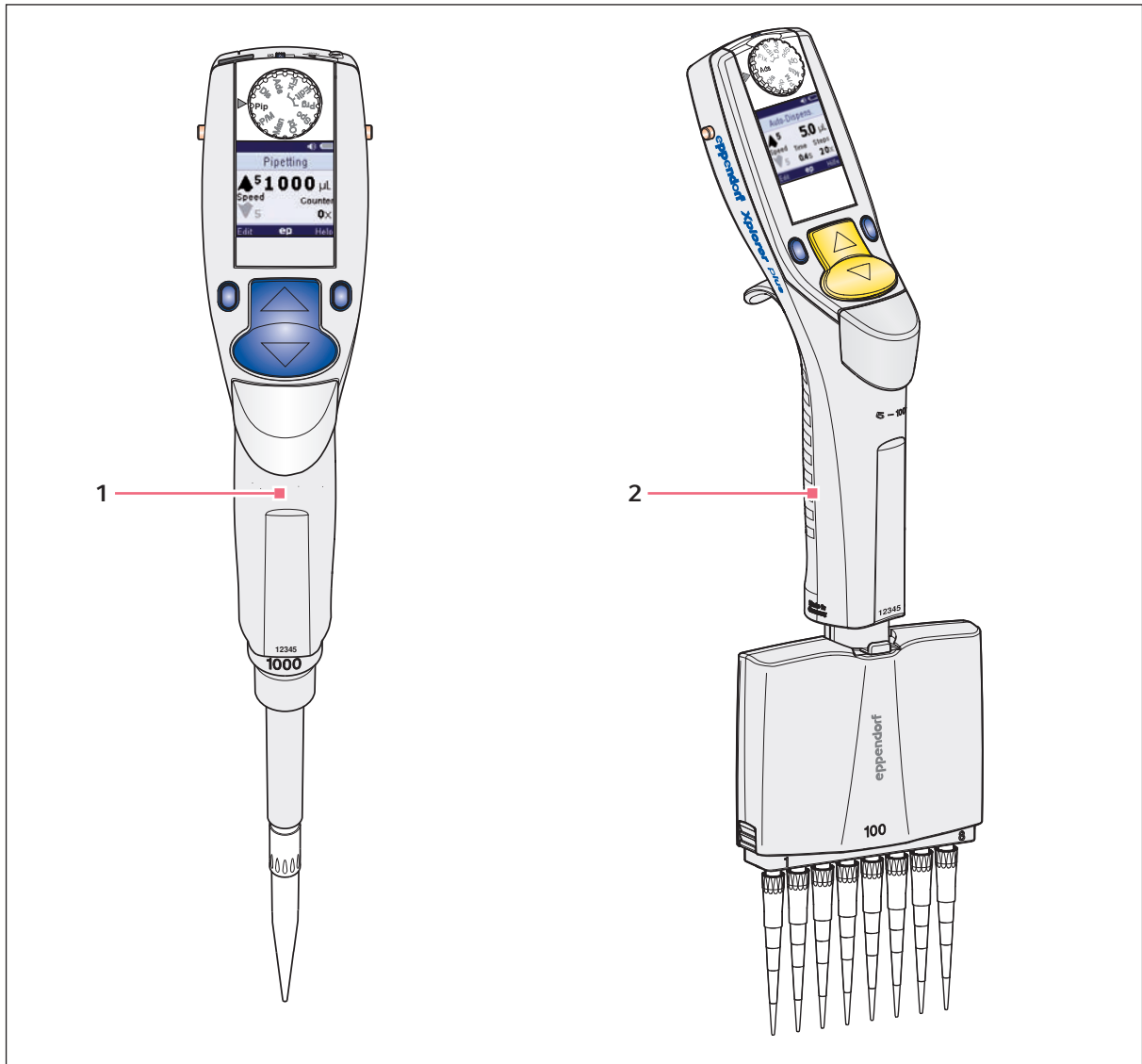
Table of contents

1	Xplorer pipettes	5
2	Xplorer spare parts	7
2.1	Lower parts	7
2.2	Ejector sleeves	8
2.3	Additional spare parts	9
3	Accessories	11
3.1	Tools and accessories	11
3.1.1	Tools	11
3.1.2	Charging carousel, charging stand and wall mount	12
3.1.3	Locking ring and locking clip	13
3.1.4	Auxiliary aids	14
3.2	Software	15
3.3	Pipette tips	15
3.3.1	epT.I.P.S. Eppendorf Quality	15
3.3.2	epT.I.P.S. LoRetention Eppendorf Quality	17
3.3.3	epT.I.P.S. Sterile	17
3.3.4	epT.I.P.S. PCR clean	18
3.3.5	epT.I.P.S. LoRetention PCR clean	18
3.3.6	ep Dualfilter T.I.P.S. PCR clean, sterile and pyrogen-free	19
3.3.7	ep Dualfilter T.I.P.S. LoRetention, PCR clean, sterile and pyrogen-free	19
3.3.8	ep Dualfilter T.I.P.S. SealMax, PCR clean, sterile and pyrogen-free	20
3.3.9	epT.I.P.S. Biopur	20

Table of contents

Eppendorf Xplorer®/Eppendorf Xplorer® plus
English (EN)

1 Xplorer pipettes



1 Xplorer plus, single-channel

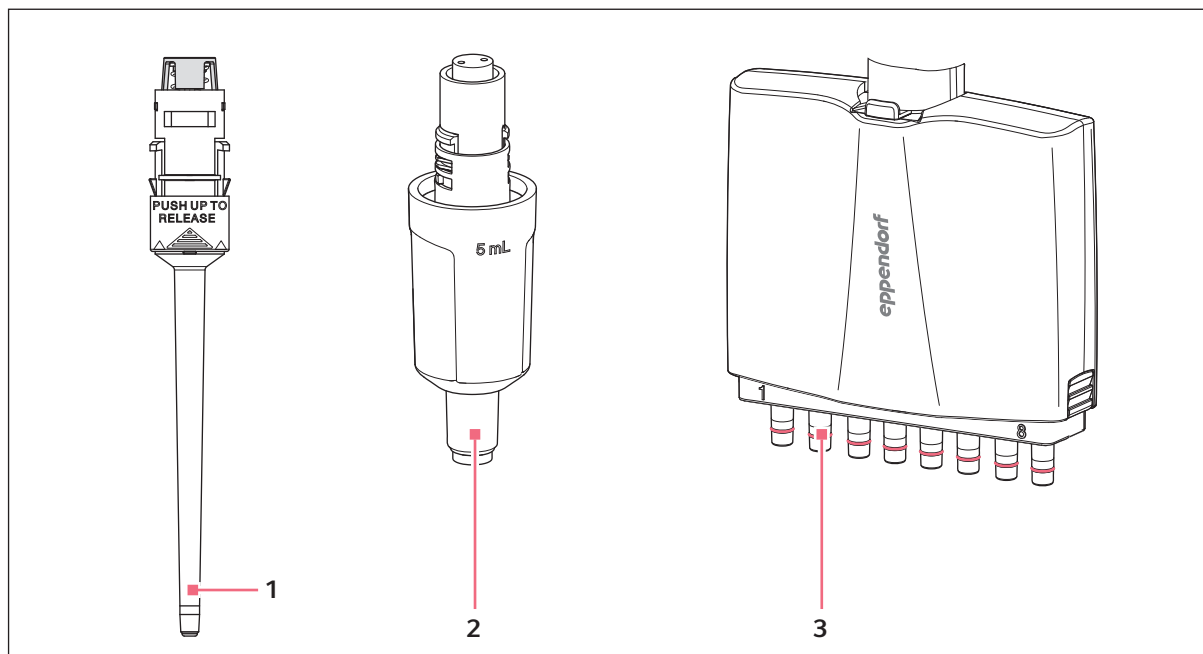
2 Xplorer plus, multi-channel

Xplorer pipettesEppendorf Xplorer®/Eppendorf Xplorer® plus
English (EN)

Order no. (International)	Order no. (North America)	Description
4861 000.015	4861000015	Eppendorf Xplorer single-channel medium gray, 0.5 – 10 µL
4861 000.023	4861000023	
4861 000.031	4861000031	
4861 000.040	4861000040	
4861 000.058	4861000058	
4861 000.066	4861000066	
4861 000.104	4861000104	Eppendorf Xplorer 8 channel medium gray, 0.5 – 10 µL
4861 000.120	4861000120	
4861 000.147	4861000147	
4861 000.163	4861000163	
4861 000.112	4861000112	Eppendorf Xplorer 12-channel medium gray, 0.5 – 10 µL
4861 000.139	4861000139	
4861 000.155	4861000155	
4861 000.171	4861000171	
4861 000.708	4861000708	Eppendorf Xplorer plus single-channel medium gray, 0.5 – 10 µL
4861 000.716	4861000716	
4861 000.724	4861000724	
4861 000.732	4861000732	
4861 000.740	4861000740	
4861 000.759	4861000759	
4861 000.767	4861000767	Eppendorf Xplorer plus 8 channel medium gray, 0.5 – 10 µL
4861 000.783	4861000783	
4861 000.805	4861000805	
4861 000.821	4861000821	
4861 000.775	4861000775	Eppendorf Xplorer plus 12-channel medium gray, 0.5 – 10 µL
4861 000.791	4861000791	
4861 000.813	4861000813	
4861 000.830	4861000830	

2 Xplorer spare parts

2.1 Lower parts

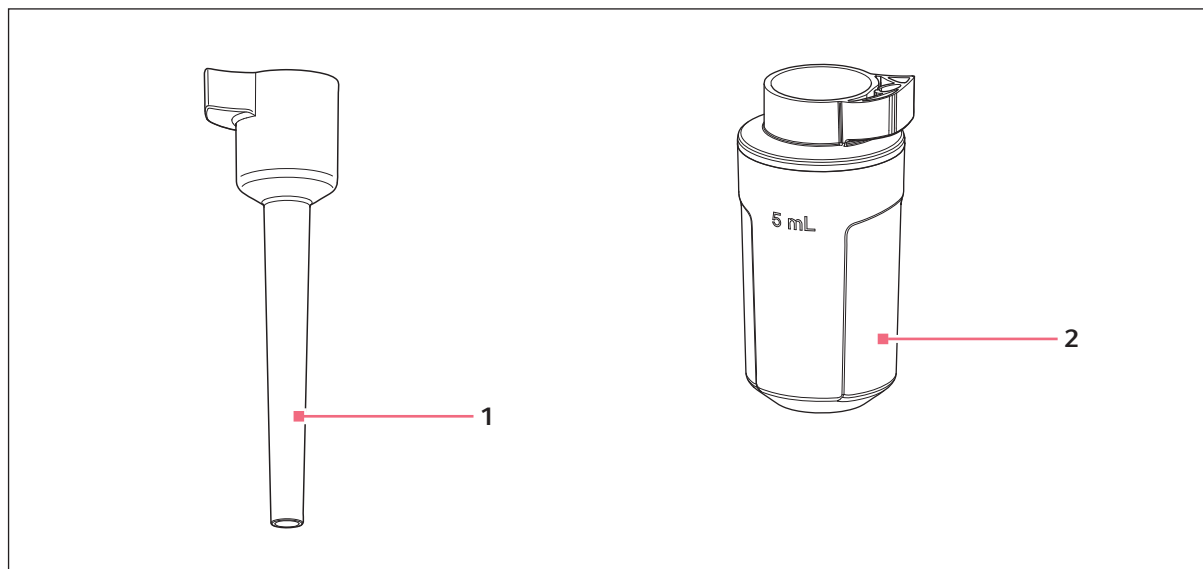


1 Single-channel lower part
10 µL – 1000 µL

3 Multi-channel lower part

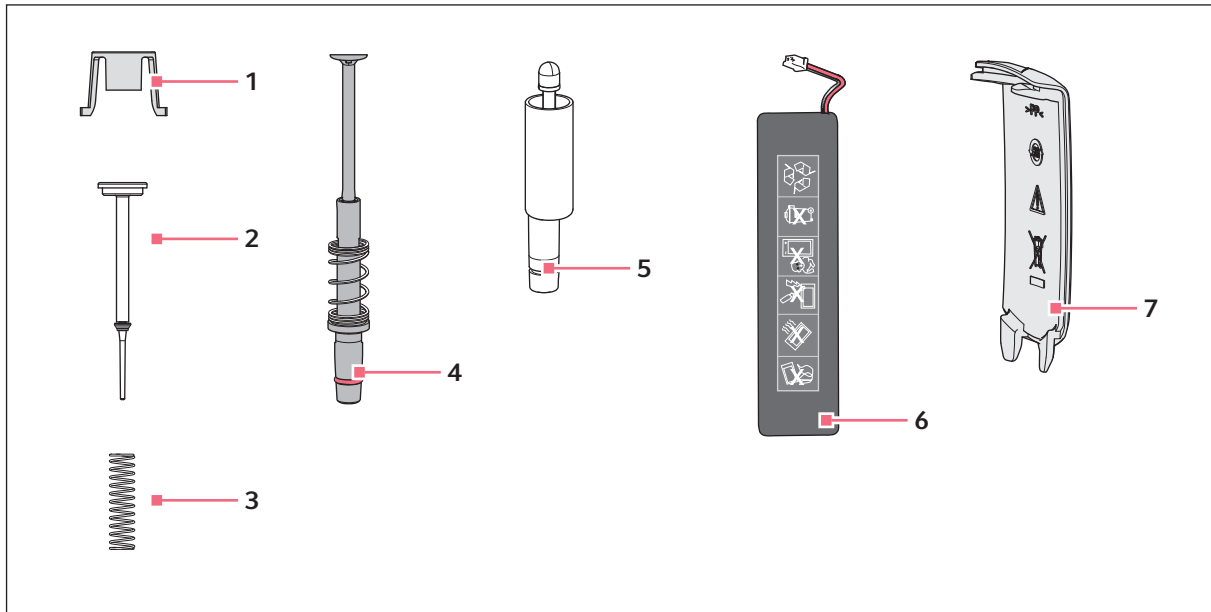
2 Single-channel lower part
5 mL/10 mL

Order no. (International)	Order no. (North America)	Description
		Eppendorf Xplorer lower part single-channel
3120 614.001	3120614001	medium gray, 0.5 µL – 10 µL
3120 617.000	3120617000	yellow, 5 – 100 µL
3120 619.003	3120619003	orange, 15 – 300 µL
3120 620.001	3120620001	blue, 50 – 1 000 µL
4861 602.007	4861602007	violet, 0.2 – 5 mL
4861 603.003	4861603003	turquoise, 0.5 – 10 mL
		Eppendorf Xplorer lower part 8 channel
4861 606.002	4861606002	medium gray, 0.5 – 10 µL
4861 608.005	4861608005	yellow, 5 – 100 µL
4861 610.000	4861610000	orange, 15 – 300 µL
4861 612.002	4861612002	green, 50 – 1200 µL
		Eppendorf Xplorer lower part 12-channel
4861 607.009	4861607009	medium gray, 0.5 – 10 µL
4861 609.001	4861609001	yellow, 5 – 100 µL
4861 611.006	4861611006	orange, 15 – 300 µL
		Eppendorf Xplorer lower part 12 channel
4861 614.005	4861614005	green, 50 – 1200 µL

Xplorer spare partsEppendorf Xplorer®/Eppendorf Xplorer® plus
English (EN)**2.2 Ejector sleeves****1 Ejector sleeve**
10 μ L – 1000 μ L**2 Ejector sleeve**
5 mL/10 mL

Order no. (International)	Order no. (North America)	Description
3120 624.007	3120624007	Eppendorf Xplorer Ejector sleeve 10 μ L, color code: medium gray
3120 626.000	3120626000	100 μ L, color code: yellow
3120 628.002	3120628002	300 μ L, color code: orange
3120 629.009	3120629009	1 000 μ L, color code: blue
3120 630.007	3120630007	5 mL, color code: violet, complete with ejection carrier
3120 631.003	3120631003	10 mL color code: turquoise, complete with ejection carrier
3122 010.014	–	Ejection carrier multi-canaux 100/300
4861 821.000	–	Ejection carrier multi-channel 1200 μ L

2.3 Additional spare parts



- | | |
|------------------------------------------------------------------------------------------------------------------------------------------------------------------------------------------|------------------------------------------------------------------------------------------------------------------------------------------------------------------------------------|
| <p>1 Piston mount
10 µL – 1000 µL</p> <p>2 Piston</p> <p>3 Piston spring</p> <p>4 Replacement channel
For multi-channel lower parts up to 300 µL</p> | <p>5 Replacement channel
For 1200 µL multi-channel lower parts</p> <p>6 Li-polymer rechargeable battery</p> <p>7 Rechargeable battery compartment lid</p> |
|------------------------------------------------------------------------------------------------------------------------------------------------------------------------------------------|------------------------------------------------------------------------------------------------------------------------------------------------------------------------------------|

Order no. (International)	Order no. (North America)	Description
3120 609.008	3120609008	Eppendorf Xplorer Piston spring medium gray, 0.5 – 10 µL
3120 610.006	3120610006	yellow, 5 – 100 µL
3120 612.009	3120612009	orange, 15 – 300 µL
3120 601.007	3120601007	Eppendorf Xplorer Piston mount 10 µL, 100 µL, 300 µL, 1000 µL
3120 603.000	3120603000	Eppendorf Xplorer Piston medium gray, 0.5 µL – 10 µL
3120 605.002	3120605002	Eppendorf Xplorer Piston with seal color code: yellow, 5 – 100 µL
3120 607.005	3120607005	color code: orange, 15 – 300 µL
3120 608.001	3120608001	Eppendorf Xplorer Piston with seal and spring color code: blue, 50 – 1000 µL
3122 611.000	3122611000	O-ring Red, for multichannel lower parts 5 – 100 µL, 15 – 300 µL (1 set = 24 pieces)

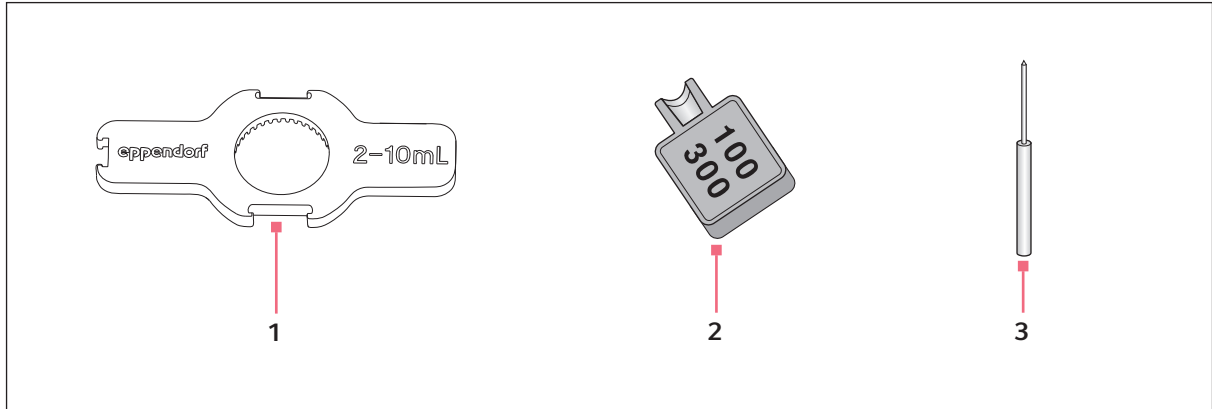
Xplorer spare partsEppendorf Xplorer®/Eppendorf Xplorer® plus
English (EN)

Order no. (International)	Order no. (North America)	Description
4860 716.009	022467131	O-rings for multi-channel lower parts 50 – 1200 µL (1 set = 24 pieces)
3122 607.002	3122607002	Replacement channel for multichannel lower parts includes piston, cylinder, tip spring 10 µL, color code: medium gray, for multichannel 0.5 – 10 µL
3122 608.009	3122608009	Replacement channel for multichannel lower parts includes piston, cylinder, tip spring, O-ring 100 µL, color code: yellow, for multichannel 5 – 100 µL 300 µL, color code: orange, for multichannel 15 – 300 µL
3122 609.005	3122609005	
4861 604.000	4861604000	Replacement channel for multi-channel lower parts includes piston, cylinder, O-ring 1200 µL, color code: green, for multi-channel 50 – 1200 µL
4861 601.000	4861601000	Lithium polymer rechargeable battery
4861 613.009	4861613009	Battery compartment lid

3 Accessories

3.1 Tools and accessories

3.1.1 Tools



1 Pipette wrench

3 Unlocking tool

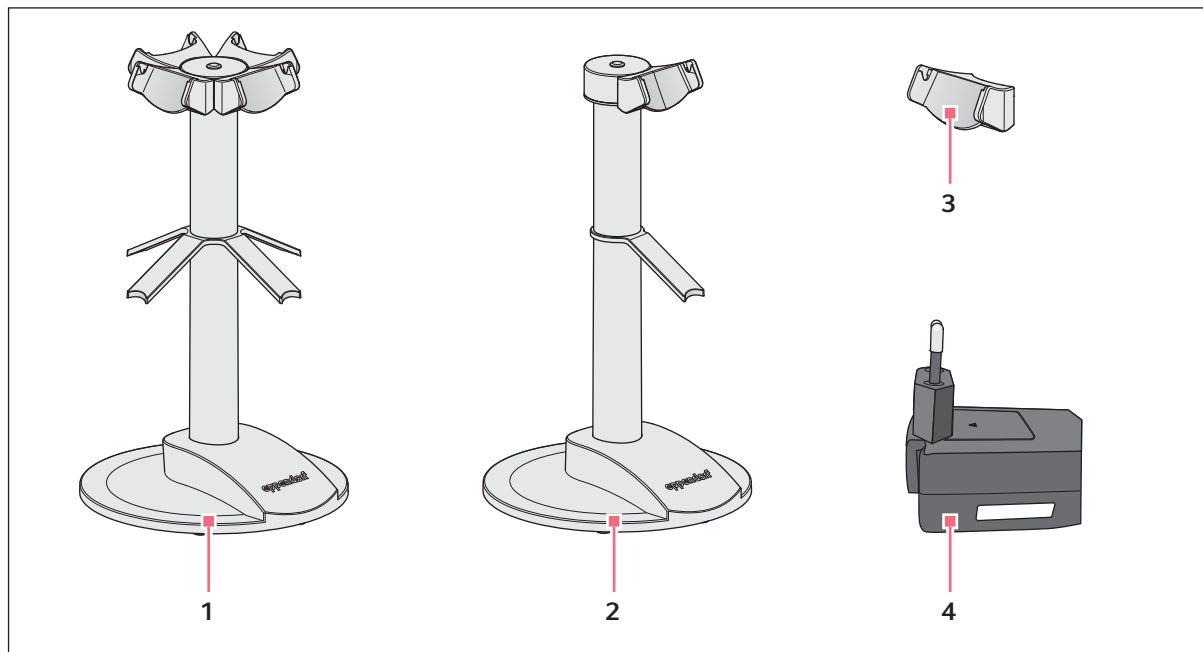
2 Multi-channel tool

Order no. (International)	Order no. (North America)	Description
3122 610.003	3122610003	Multi-channel tool for cutting the O-rings on the tip cone of multi-channel lower parts 5 – 100 µL or 15 – 300 µL
4860 736.000	022467042	
3120 634.002	3120634002	Pipette wrench 2 mL/2.5 mL/5 mL/10 mL
4861 605.006	4861605006	Unlocking tool For opening the 1200 µL multi-channel lower part

Accessories

Eppendorf Xplorer®/Eppendorf Xplorer® plus
English (EN)

3.1.2 Charging carousel, charging stand and wall mount



1 Charging carousel

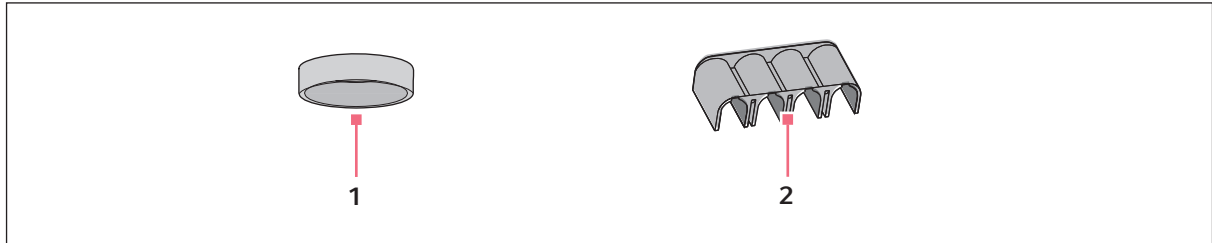
3 Charger shell

2 Charging stand

4 Power supply

Order no. (International)	Order no. (North America)	Description
4880 000.026	4880000026	Charging carousel 4880 incl. power supply 4880 603.006 for 4 Xplorer/Xplorer/Xplorer plus
4880 000.000	4880000000	Charging stand 4880 for 1 Xplorer/Xplorer plus
4986 603.005 4880 603.006	4986603005 4880603006	Power supply with power plug adapters for pipettes/charging stand for charging carousel series 4880
4880 602.000	4880602000	Charging shell for charging carousel series 4880 for Xplorer/Xplorer plus
4861 615.001	4861615001	Wall mount for Eppendorf Xplorer/Xplorer plus

3.1.3 Locking ring and locking clip



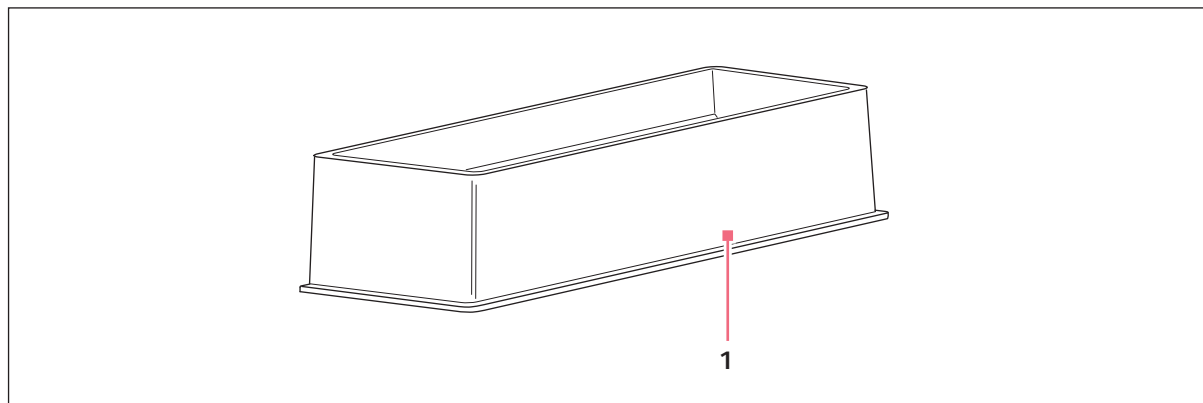
1 Locking ring

2 Locking clip

Order no. (International)	Order no. (North America)	Description
3120 635.009	3120635009	Locking ring to prevent spring action with single-channel Xplorer pipettes 10 – 1000 µL
3122 612.006 3122 613.002	3122612006 3122613002	Locking clip To lock spring loading of multi-channel lower parts (10 µL, 100 µL, 300 µL) 2 pieces for 8-channel lower parts 3 pieces for 12-channel lower parts

AccessoriesEppendorf Xplorer®/Eppendorf Xplorer® plus
English (EN)

3.1.4 Auxiliary aids

**1 Reagent reservoir Tip-Tub**

Order no. (International)	Order no. (North America)	Description
4920 622.009	4920622009	Protection filter with filter sleeve For 0.25 – 2.5 mL variable, 2 mL fixed volume, 2.5 mL fixed volume, color code red, 1 set = 10 filters, 1 sleeve, 1 pipette wrench
4920 623.005	4920623005	For 0.5 – 5 mL variable, color code violet, 1 set = 10 filters, 1 sleeve, 1 pipette wrench
4920 624.001	4920624001	For 1 – 10 mL variable, color code turquoise, 1 set = 10 filters, 1 sleeve, 1 pipette wrench
0030 058.607	022265806	Reagent reservoir Tip-Tub autoclavable reservoir for the aspiration of liquids with multi-channel pipettes 1 set = 10 reservoirs and 10 lids
0013 022.153	0013022153	Grease with stick
4861 910.011	4861910011	Operating Manual Eppendorf Xplorer/Xplorer plus
4861 910.038	4861910038	Short instructions Eppendorf Xplorer/Xplorer plus
4861 910.020	4861910020	Eppendorf Xplorer/Xplorer plus CD

3.2 Software



PiCaSo supports pipettes with software from version 2.3.18 onwards.

Order no. (International)	Order no. (North America)	Description
3113 004.001	022448510	PiCaSo II Software Pipette Calibration Software for use with Xplorer starting from version 2.3.18
3903 000.014	3903000014	Eppendorf TrackIT RFID Reader and Software

3.3 Pipette tips

3.3.1 epT.I.P.S. Eppendorf Quality

Order no. (International)	Order no. (North America)	Description
0030 000.811	022492004	epT.I.P.S. Standard Eppendorf Quality, 2 bags of 500 tips 0.1 – 10 µL, dark gray, length: 34 mm
0030 000.838	022492012	0.1 – 20 µL, medium gray, length: 40 mm
0030 000.854	022492021	0.5 – 20 µL L, light gray, length: 46 mm
0030 000.870	022492039	2 – 200 µL, yellow, length: 53 mm
0030 000.897	022492047	20 – 300 µL, orange, length: 55 mm
0030 000.919	022492055	50 – 1000 µL, blue, length: 71 mm
0030 000.935	022492063	50 – 1250 µL, green, length: 76 mm
0030 000.730	022494018	50 – 1250 µL L, dark green, length: 103 mm
0030 000.978	022492080	epT.I.P.S. Standard Eppendorf Quality, 5 bags of 100 tips 0.2 – 5 mL, violet, length: 120 mm
0030 000.650	0030000650	epT.I.P.S. Standard Eppendorf Quality, 3 bags of 100 tips 0.2 – 5 mL L, violet, length: 175 mm
0030 000.765	022492098	epT.I.P.S. Standard Eppendorf Quality, 2 bags of 100 tips 0,5 – 10 mL, turquoise, length: 165 mm
0030 000.781	022492101	0,5 – 10 mL L, turquoise, length: 243 mm
0030 073.363	022491504	epT.I.P.S. Reloads Eppendorf Quality, 10 trays of 96 tips 0.1 – 10 µL, dark gray, length: 34 mm (stacks)
0030 073.380	022491512	0.1 – 20 µL, medium gray, length: 40 mm
0030 073.401	022491521	0.5 – 20 µL, light gray, length: 46 mm
0030 073.428	022491539	2 – 200 µL, yellow, length: 53 mm (stacks)
0030 073.444	022491547	20 – 300 µL, orange, length: 55 mm
0030 073.460	022491555	50 – 1000 µL, blue, length: 71 mm
0030 073.487	022491563	50 – 1250 µL, green, length: 76 mm
0030 073.606	022494004	50 – 1250 µL L, dark green, length: 103 mm

AccessoriesEppendorf Xplorer®/Eppendorf Xplorer® plus
English (EN)

Order no. (International)	Order no. (North America)	Description
		epT.I.P.S. Box Eppendorf Quality, 1 autoclavable box incl. 96 tips
0030 073.002	022491300	0.1 – 10 µL, dark gray, length: 34 mm
0030 073.029	022491318	0.1 – 20 µL, medium gray, length: 40 mm
0030 073.045	022491326	0.5 – 20 µL L, light gray, length: 46 mm
0030 073.061	022491334	2 – 200 µL, yellow, length: 53 mm
0030 073.088	022491342	20 – 300 µL, orange, length: 55 mm
0030 073.100	022491351	50 – 1000 µL, blue, length: 71 mm
0030 073.126	022491369	50 – 1250 µL, green, length: 76 mm
0030 073.622	022494016	50 – 1250 µL L, dark green, length: 103 mm
		epT.I.P.S. Box Eppendorf Quality, 1 autoclavable box incl. 24 tips
0030 073.169	022491385	0.2– 5 mL, length: 120 mm
		epT.I.P.S. Set Eppendorf Quality, 1 autoclavable box incl. 5 trays of 96 tips
0030 073.207	022491407	0.1 – 10 µL, dark gray, length: 34 mm
0030 073.223	022491415	0.1 – 20 µL, medium gray, length: 40 mm
0030 073.240	022491423	0.5 – 20 µL, light gray, length: 46 mm
0030 073.266	022491431	2 – 200 µL, yellow, length: 53 mm
0030 073.282	022491440	20 – 300 µL, orange, length: 55 mm
0030 073.304	022491458	50 – 1000 µL, blue, length: 71 mm
0030 073.320	022491466	50 – 1250 µL, green, length: 76 mm
		epT.I.P.S. Racks, GELoader Eppendorf Quality, 2 racks of 96 tips
0030 001.222	022351656	0.5 – 20 µL, light gray, length: 62 mm
		epT.I.P.S. Racks, Microloader Eppendorf Quality, 2 racks of 96 tips
5242 956.003	930001007	0.5 – 20 µL, light gray, length: 100 mm

3.3.2 epT.I.P.S. LoRetention Eppendorf Quality

epT.I.P.S. LoRetention are designed specifically for dispensing liquids with a reduced surface tension compared with water. Aqueous solutions that contain a wetting agent (detergent) have a reduced surface tension.

Order no. (International)	Order no. (North America)	Description
		epT.I.P.S. LoRetention Reloads
0030 072.049	022493018	Eppendorf Quality, 10 trays of 96 tips 0.1 – 10 µL, dark gray, length: 34 mm
0030 072.057	022493020	0.5 – 20 µL L, light gray, length: 46 mm
0030 072.065	022493022	2 – 200 µL, yellow, length: 53 mm
0030 072.073	022493024	50 – 1000 µL, blue, length: 71 mm
		epT.I.P.S. LoRetention Set
		Eppendorf Quality, 1 autoclavable box incl. 5 trays of 96 tips
0030 072.251	0030072251	0.1 – 10 µL, dark gray, length: 34 mm
0030 072.260	0030072260	0.5 – 20 µL L, light gray, length: 46 mm
0030 072.278	0030072278	2 – 200 µL, yellow, length: 53 mm
0030 072.286	0030072286	50 – 1000 µL, blue, length: 71 mm

3.3.3 epT.I.P.S. Sterile

Order no. (International)	Order no. (North America)	Description
		epT.I.P.S. Racks
–	022492250	Steril, 10 racks with 96 tips each 0.1 – 20 µL, medium gray, length: 40 mm
–	022492276	2 – 200 µL, yellow, length: 53 mm
–	022492284	20 – 300 µL, orange, length: 55 mm
–	022492292	50 – 1000 µL, blue, length: 71 mm
–	022492306	50 – 1250 µL, green, length: 76 mm
		epT.I.P.S. Racks
–	022492314	Steril, 5 racks with 24 tips each 0.2 – 5 mL, violet, length: 120 mm

AccessoriesEppendorf Xplorer®/Eppendorf Xplorer® plus
English (EN)

3.3.4 epT.I.P.S. PCR clean

Order no. (International)	Order no. (North America)	Description
		epT.I.P.S. Reloads PCR clean, 10 trays of 96 tips
0030 073.746	022491709	0.1 – 10 µL, dark gray, length: 34 mm (stacks)
0030 073.762	022491717	0.1 – 20 µL, medium gray, length: 40 mm
0030 073.789	022491725	0.5 – 20 µL L, light gray, length: 46 mm
0030 073.800	022491733	2 – 200 µL, yellow, length: 53 mm (stacks)
0030 073.827	022491741	20 – 300 µL, orange, length: 55 mm
0030 073.843	022491750	50 – 1000 µL, blue, length: 71 mm
0030 073.860	022491768	50 – 1250 µL, green, length: 76 mm
0030 073.614	022494006	50 – 1250 µL L, dark green, length: 103 mm

3.3.5 epT.I.P.S. LoRetention PCR clean

Order no. (International)	Order no. (North America)	Description
		epT.I.P.S. LoRetention Reloads PCR clean, 10 trays of 96 tips
0030 072.006	022493010	0.1 – 10 µL, dark gray, length: 34 mm
0030 072.014	022493012	0.5 – 20 µL L, light gray, length: 46 mm
0030 072.022	022493014	2 – 200 µL, yellow, length: 53 mm
0030 072.030	022493016	50 – 1000 µL, blue, length: 71 mm

3.3.6 ep Dualfilter T.I.P.S. PCR clean, sterile and pyrogen-free

Order no. (International)	Order no. (North America)	Description
0030 077.504	022491202	ep Dualfilter T.I.P.S. Racks PCR clean, sterile and pyrogen-free, 10 racks of 96 tips 0.1 – 10 µL S, dark gray, length: 34 mm 0.1 – 10 µL M, medium gray, length: 40 mm 0.5 – 20 µL L, light gray, length: 46 mm 2 – 20 µL, yellow, length: 53 mm 2 – 100 µL, yellow, length: 53 mm 2 – 200 µL, yellow, length: 55 mm 15 – 300 µL, orange, length: 55 mm 50 – 1000 µL, blue, length: 76 mm
0030 077.512	022491211	
0030 077.520	022491229	
0030 077.539	022491270	
0030 077.547	022491237	
0030 077.555	022491296	
0030 077.563	022491245	
0030 077.571	022491253	
0030 077.750	022494002	ep Dualfilter T.I.P.S. Racks PCR clean, sterile and pyrogen-free, 5 racks of 96 tips 50 – 1250 µL L, dark green, length: 103 mm
0030 077.580	022491261	ep Dualfilter T.I.P.S. Racks PCR clean, sterile and pyrogen-free, 5 racks of 24 tips 0.2 – 5 mL, violet, length: 120 mm 0.2 – 5 mL L, violet, length: 175 mm
0030 077.725	0030077725	
0030 077.598	022491288	ep Dualfilter T.I.P.S. Singles PCR clean, sterile and pyrogen-free, 100 tips individually packaged 0,5 – 10 mL L, turquoise, length: 243 mm

3.3.7 ep Dualfilter T.I.P.S. LoRetention, PCR clean, sterile and pyrogen-free

Order no. (International)	Order no. (North America)	Description
0030 077.610	022493000	ep Dualfilter T.I.P.S. LoRetention Racks PCR clean, sterile and pyrogen-free, 10 racks of 96 tips 0.1 – 10 µL S, dark gray, length: 34 mm 0.5 – 20 µL L, light gray, length: 46 mm 2 – 100 µL, yellow, length: 53 mm 20 – 300 µL, orange, length: 55 mm 50 – 1000 µL, blue, length: 76 mm
0030 077.628	022493002	
0030 077.644	022493006	
0030 077.636	022493004	
0030 077.652	022493008	

AccessoriesEppendorf Xplorer®/Eppendorf Xplorer® plus
English (EN)

3.3.8 ep Dualfilter T.I.P.S. SealMax, PCR clean, sterile and pyrogen-free

Order no. (International)	Order no. (North America)	Description
		ep Dualfilter T.I.P.S. SealMax PCR clean, sterile and pyrogen-free, 10 racks of 96 tips
0030 077.806	0030077806	0.1 – 10 µL S, dark gray, length: 34 mm
0030 077.814	0030077814	0.5 – 20 µL L, light gray, length: 46 mm
0030 077.822	0030077822	2 – 100 µL, yellow, length: 53 mm
0030 077.830	0030077830	2 – 200 µL, yellow, length: 55 mm
0030 077.849	0030077849	20 – 300 µL, orange, length: 55 mm
0030 077.857	0030077857	50 – 1000 µL, blue, length: 76 mm

3.3.9 epT.I.P.S. Biopur

Order no. (International)	Order no. (North America)	Description
		epT.I.P.S. Singles Biopur, 100 tips, individually wrapped
0030 010.019	022491130	0.1 – 20 µL, medium gray, length: 40 mm
0030 010.035	022491148	2 – 200 µL, yellow, length: 53 mm
0030 010.051	022491156	50 – 1000 µL, blue, length: 71 mm
		epT.I.P.S. Racks Biopur, 5 racks of 96 tips
0030 075.005	022491067	0.1 – 20 µL, medium gray, length: 40 mm
0030 075.021	022491083	2 – 200 µL, yellow, length: 53 mm
0030 075.048	022491091	20 – 300 µL, orange, length: 55 mm
0030 075.064	022491105	50 – 1000 µL, blue, length: 71 mm
0030 075.080	022491113	50 – 1250 µL, green, length: 76 mm
0030 075.129	022494014	50 – 1250 µL L, dark green, length: 103 mm
		epT.I.P.S. Racks Biopur, 5 racks of 24 tips
0030 075.188	0030075188	0.2– 5 mL L, length: 175 mm
0030 075.145	022491164	0,5 – 10 mL, turquoise, length: 165 mm

Evaluate Your Manual

Give us your feedback.
www.eppendorf.com/manualfeedback