

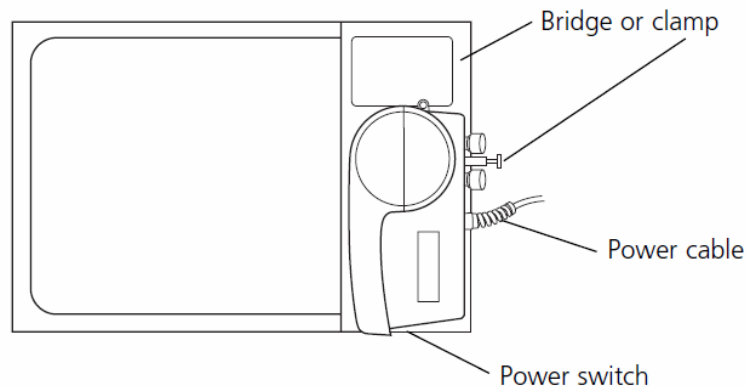
PS095

Instructions for fitting a thermoregulator unit to a bath using the bridge piece assembly

■ Introduction

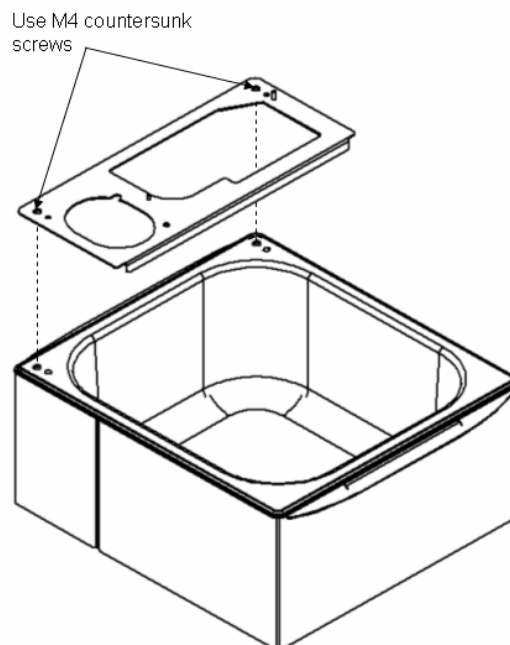
The thermoregulator must be fitted securely to the bath using a clamp or the correct bridge piece for the unit/bath.

- THE UNIT MUST ALWAYS BE MOUNTED WITH THE BACK AND THE SWITCH END OUTSIDE THE AREA OF THE BATH.
- Ensure that at all times the air inlet and outlet remain clear of obstructions.
- Free circulation of air inside the unit is essential for proper cooling of the electronics and pump motor.

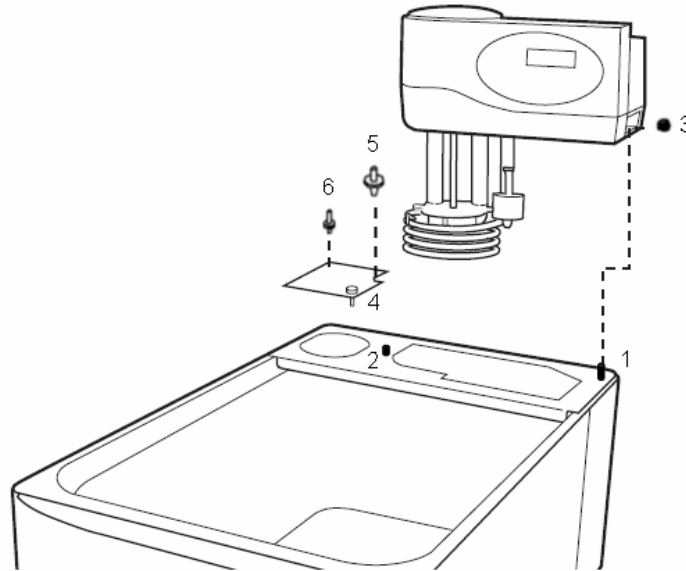


■ Installation

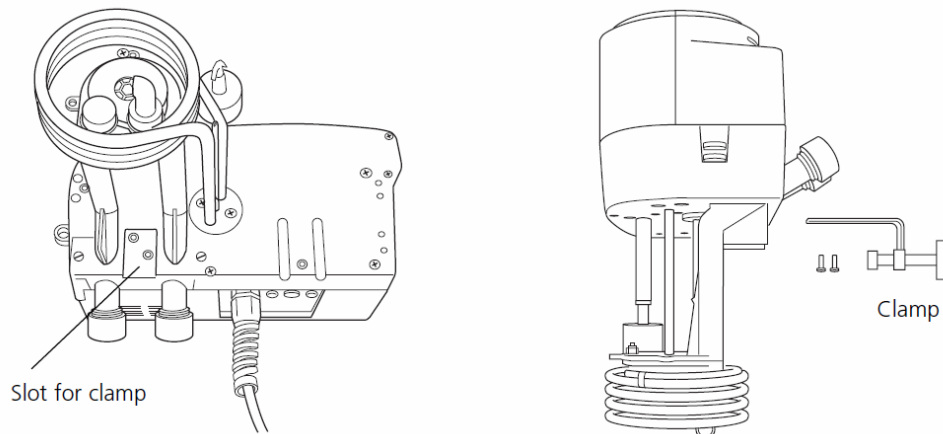
1. Ensure that the bath is set up on a flat level surface.
2. Begin by securing the bridge piece to the bath. Use the two M4 countersunk stainless screws and screw into the holes in the corners of the bath.



3. Locate the thermoregulator above the bridge piece. Toggle the heating element carefully through the clearance hole. Lower the thermoregulator onto the M4 threaded stud (1) and 3mm diameter stud (2). Use the half-turn plastic fastener (3) to clamp down the thermoregulator.



4. Use the thumb screw (4) to secure the cover plate to the bridge. Bungs (5 and 6) are provided to seal off the holes in the bridge piece. It is necessary to fit the bungs to reduce heat losses and prevent steam or other vapours getting to the thermoregulator.
5. If you do not want to use a bridge piece to secure the unit to a bath then you must use a clamp. The clamp bracket fits between the pump legs in the slot provided. Slide the bracket into the slot and use the two screws in the clamp kit to secure the clamp to the unit.



6. If the pump has been set correctly for external circulation, suitable hoses should be fitted to the outlet and return pipes. A suitable hose must be capable of withstanding both the temperature of operation and the liquid being used. Always securely clip the hoses in place.

Hose material	Temperature range	Comments
PVC	10°C to 60°C (50°F to 140°F)	Water only
Silicone	-40°C to 200°C (-40°F to 362°F)	NOT for silicone oil
Viton	-20°C to 250°C (-4°F to 482°F)	

7. For information on installing the cooling coil, dip cooler or flow cooler see the individual instruction manuals.
8. If a thermometer is to be used, it may be fitted in the end of the top cover of the thermoregulator between the two lugs, using the O-ring supplied with the unit. If a bridge piece is fitted, it is necessary to remove the bung (5) to insert the thermometer through the plate into the bath.

